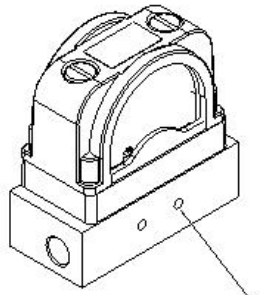
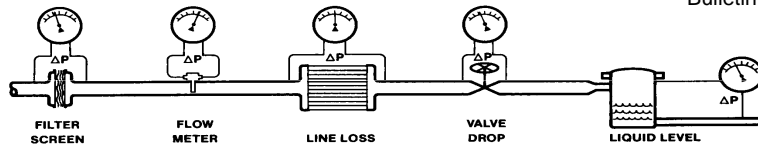
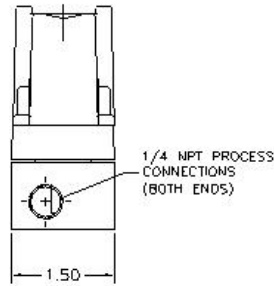
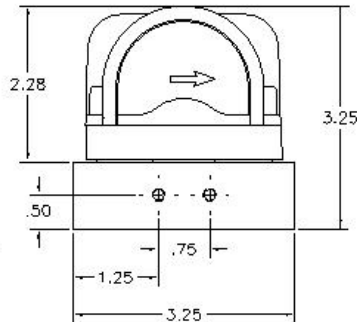


Mid-West[®] Instrument



#10-32 UNF THREAD FOR MOUNTING (2 HOLES)



INDICATOR ASS'Y NO.	GREEN / YELLOW Transition Pressure (PSID)	YELLOW / RED Transition Pressure (PSID)	Rated Differential Pressure (Full Scale) (PSID)
555A – 3.5V	2.0	2.5	3.5
555A – 5.0V	3.0	4.5	5.0
555A – 10.0V	5.0	7.5	10.0
555A – 12.0V	6.0	9.0	12.0
555A – 15.0V	7.5	12.0	15.0
555A – 20.0V	10.0	15.5	20.0
555A – 25.0V	11.0	18.5	25.0
555A – 30.0V	13.0	20.0	30.0
555A – 43.0V	19.5	29.5	43.0

SPECIFICATIONS:		Comments:
Pressure (Ratings)		
Maximum Working	300 PSIG	
Maximum Differential	150 PSID	
Accuracy	± 5% of Rated Differential Pressure Range	Calibrated at Color Transitions
Operating Temperature (Max.)	93°C (200°F)	
Materials of Construction		
Body Material	Glass Filled Nylon (GFN)	
Wetted Internals	Stainless Steel, Ceramic, & GFN	
Elastomers	Viton	
Movement	Magnetic Piston and Follower Pointer	
Dial	Plastic Lens with 3 Color Dial	
INTERFACE:		
Process Connections:	¼" FNPT End Connections. To switch HIGH and LOW pressure connections: (Remove Indicator from base and rotate 180° - Retighten plastic bolts to 20-25 inch pounds.)	Flow Direction Identified on Dial. (Arrow Points to Low Pressure Port)