

## Model 121 Series “Filter Minder”

Piston Type Differential Pressure Indicating Switch or Transmitter



**2 ½” Dial – Front View**



**4 ½” Dial – Back View**

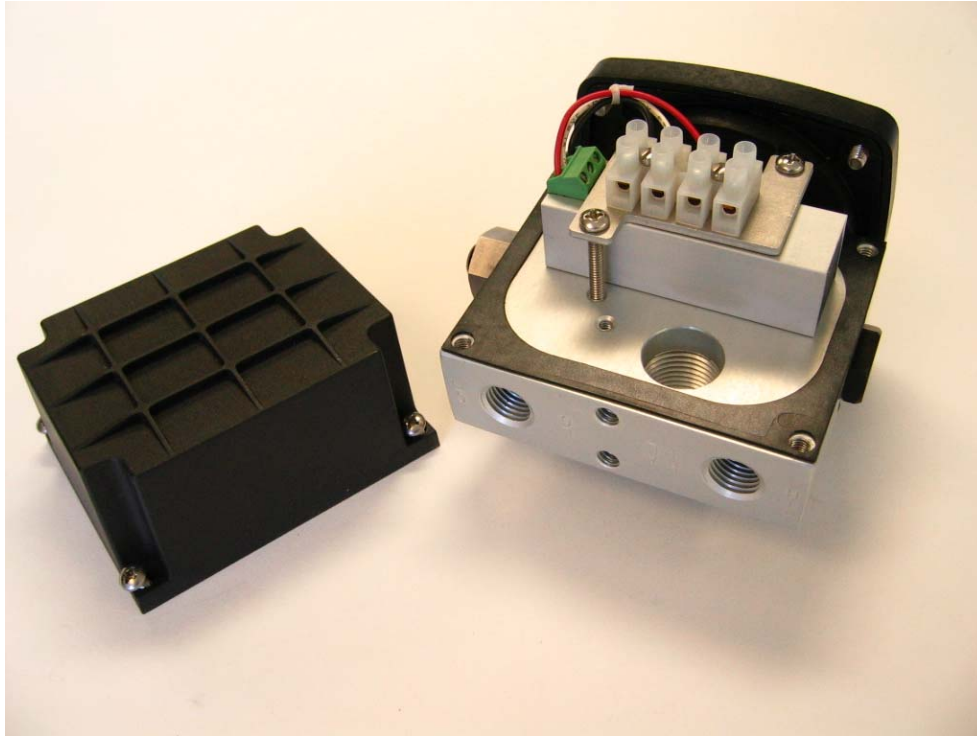
### Typical Switch Arrangement

**Medium Range: 0-5 P.S.I.D. to 0-110 P.S.I.D. (0.35 to 7.0 bar)**

**A low cost differential pressure indicating switch or transmitter for use in measuring the pressure drop across filters, strainers, separators, valves, pumps, chillers etc., and for local flow indication and control.**

- ½ NPT conduit connection with heavy duty switch/transmitter cover and terminal strip
- Choice of one or two magnetically actuated hermetically sealed reed switches to provide high and low limit alarm or control or 4-20mA transmitter.
- Simple, rugged, compact design.
- Working pressure 6000 P.S.I.G. (400 bar)  
Models 121-A and 121-S.
- Over-range protection to maximum pressure.
- Aluminum or 316 stainless steel gauge body with 316 stainless steel internals.
- Weather resistant construction standard
- Gauge accuracy  $\pm 2\%$  full scale (ascending)\*. Transmitter accuracy  $\pm 2\%$  full scale (from 20% to 100% of scale, ascending)
- Shatter resistant lens.
- 2 ½” and 4 ½” plastic dial assemblies.
- Five Year Limited Warranty. (One Year Limited Warranty on Transmitter)

\*ASME B40.100 Grade B



**Typical Transmitter Arrangement- 2 1/2" Dial Back View**

**Model 121 Indicating Switch(es) or 4-20mA Transmitter SPECIFICATIONS**

**TRANSMITTER**

Features: Microprocessor based, external zero interface  
8-28 Vdc loop powered, 2 wire interface

**Electrical**

Accuracy                    ±2% (from 20% to 100% of scale, ascending)  
Supply Voltage            8-28 Vdc  
Output                        4-20mA  
Max Loop Resistance    1000 Ohms

**Interface**

4 position terminal strip for 16-22 Awg wire, (Pin 1 – return, Pin 2 = zero, Pin 3 = 8-28 Vdc, Pin 4 – chassis (1/2" NPT conduit connection))

**Environmental**            Weatherproof

**Rating**                        (NEMA 4X, IP65)

**SWITCHES**

Features: One or two hermetically sealed reed switches

**Electrical**

**Switch rating and adjustability**

0-3W, .25 Amp  
125 VAC (15-95% F.S.)  
60W, 3.0 Amp  
240 VAC (20-95% F.S.)

**Interface**

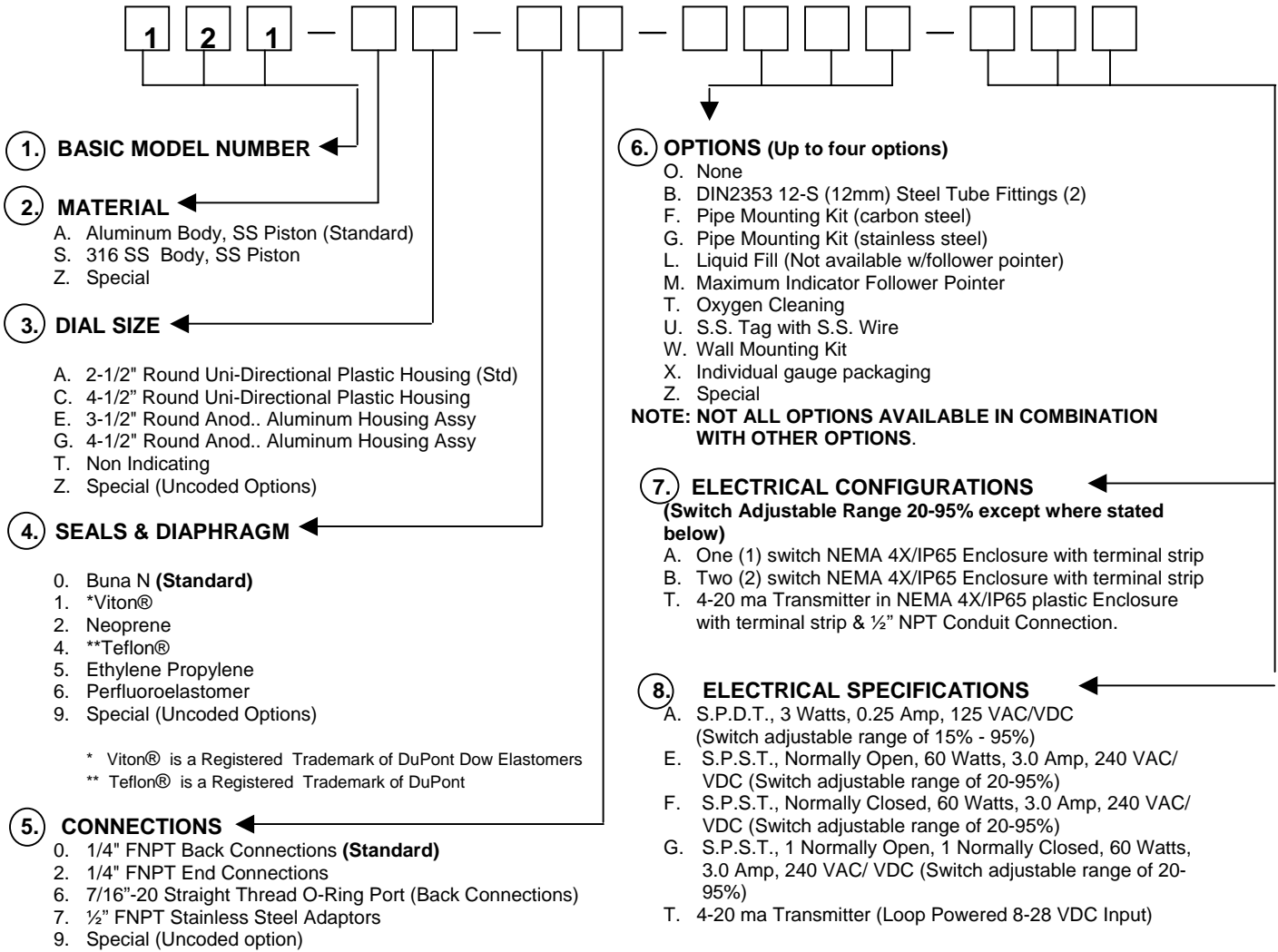
7 position terminal strip for 16-22 Awg wire  
1/2 " NPT conduit connection

**Environmental**            Weatherproof

**Rating**                        (NEMA 4X, IP65)

## Standard Model Specifications 121-AA-00-O(AA)

6000 P.S.I.G. Working Pressure Aluminum Body, Stainless Steel Piston, Ceramic Magnets, Buna N Seals, 2 1/2" Engineering Plastic Case with shatter-resistant Lens. 1/4" FNPT Back Connections. Accuracy ± Full Scale (Ascending)

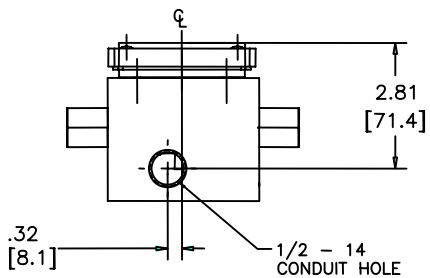
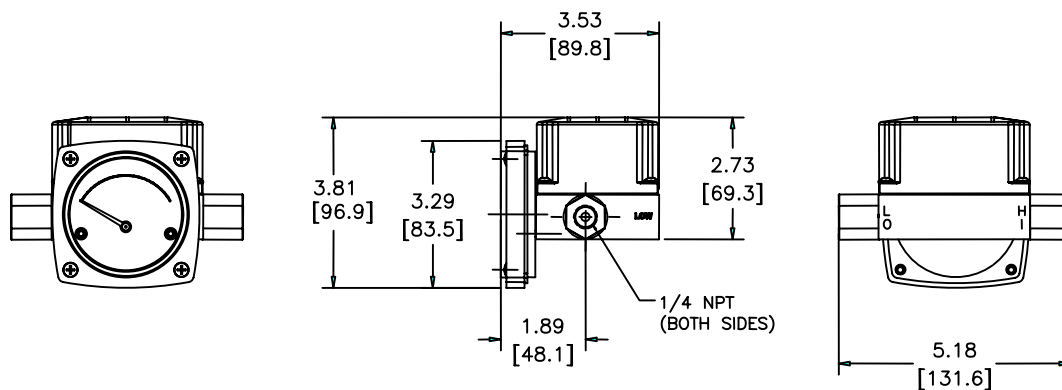
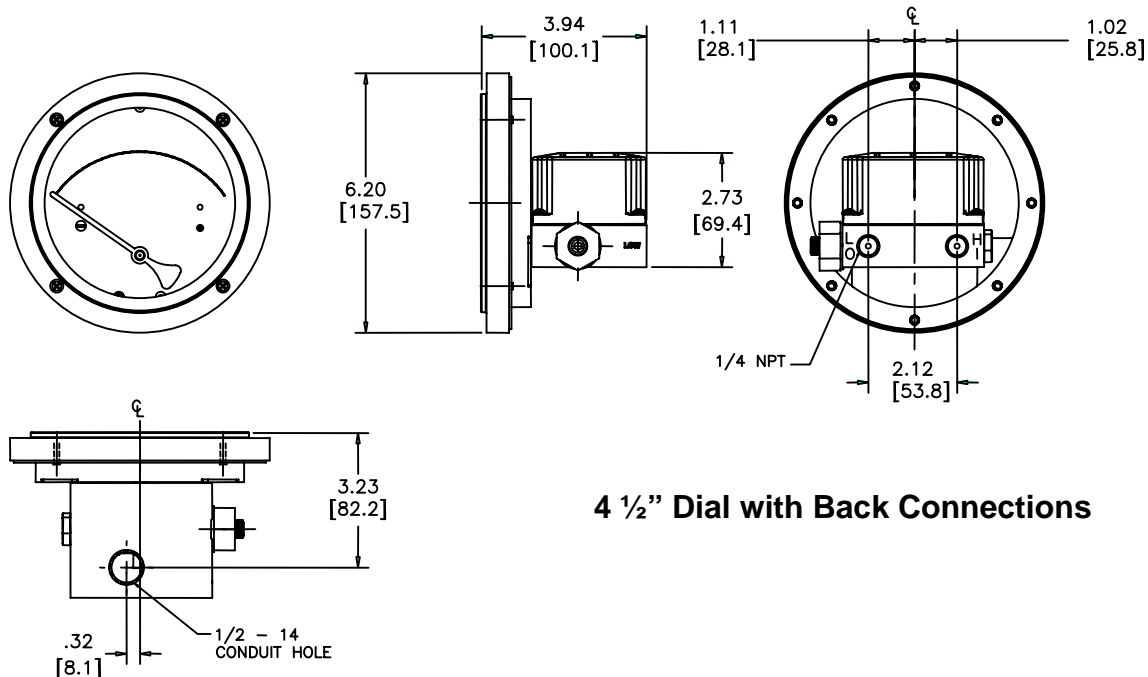


For Applications requiring Diaphragm isolation see Bulletins:

- Bulletin No. 140-141/01
- Bulletin No. 142/05
- Bulletin No. 140/142T/06



**142 – 2 1/2" Dial Transmitter – Back View**



## Mid-West® Instrument

6500 Dobry Dr., Sterling Heights, MI 48314

(586) 254-6500 Fax: (586) 254-6509

Email: [sales@midwestinstrument.com](mailto:sales@midwestinstrument.com)

Website: [www.midwestinstrument.com](http://www.midwestinstrument.com)