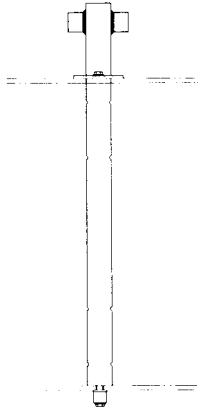
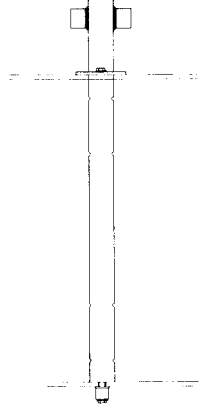




MODEL 306	MODEL 307 - 308
	
<p>A flow element or insert type sensor for measurement of flow in ducts. May be installed in round or rectangular ducts 6" (15 cm) through 144" (366 cm).</p>	

**Functions & Applications:**

**Specifications:**

Materials of Construction	Aluminum	316 Stainless Steel
Process Fluids	Air & Non-corrosive Gases	Air, Stack Gases, Fumes, Etc.
Instrument Connections	1/4" FNPT (standard)	
Maximum Dp	See "Delta Tube Application & System Design Data" Booklet, Bulletin No. ASDE/Latest (Table No. 2)	
Maximum Working Pressure Rating for Probe and Attaching Hardware	Note:	<p>15 P.S.I.G. (100 kPa)</p> <p>Safe system pressure and temperature limits are dependent upon the specific system configuration. For typical system temperature and pressure operating parameters, see ASDE/Latest (Table No. 4).</p>

**Special Features:**

<p>Utilizes "Double D" equal area double averaging pitot tube: Providing low permanent pressure loss and low sensitivity to misalignment with respect to flow accuracy.</p>
---

**Related Products Available:**

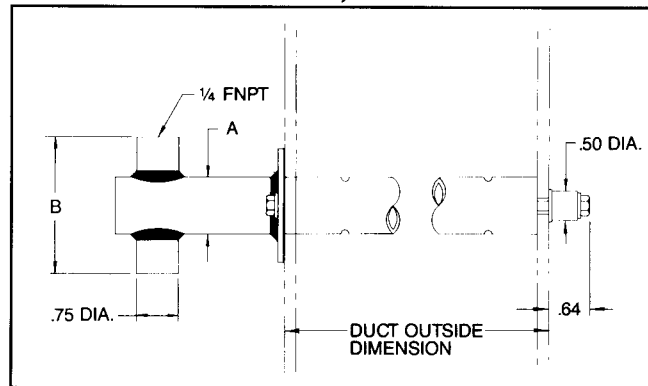
Indicators & Switches	<p>A broad selection of indicators, with our without switching are available. For details please refer to Mid-West Bulletins on Models 105 &amp; 130.</p>
Portable Indicators	<p>A wide variety of portable indicators are also available. Please see Mid-West Bulletin 800/Latest.</p>

Model	DIM. A	DIM. B
306	1" (25 mm)	2.2" (56 mm)
307	1/2" (13 mm)	1.6" (41 mm)
308	1" (25 mm)	2.5" (63 mm)

### WEIGHTS

MODEL SIZE	6" (152 mm)	12" (305 mm)	18" (457 mm)	24" (610 mm)	30" (762 mm)	36" (915 mm)	42" (1067 mm)	48" (1219 mm)	60" (1524 mm)
306	2.2 # (1.0 kg)	2.6 # (1.2 kg)	3.1 # (1.4 kg)	3.6 # (1.6 kg)	4.1 # (1.9 kg)	4.5 # (2.0 kg)	5.0 # (2.3 kg)	5.5 # (2.5 kg)	6.4 # (2.9 kg)
307	1.0 # (0.5 kg)	1.3 # (0.6 kg)	1.5 # (0.7 kg)	1.7 # (0.8 kg)	2.0 # (0.9 kg)	2.2 # (1.0 kg)	2.4 # (1.1 kg)	2.7 # (1.2 kg)	3.2 # (1.5 kg)
308	2.2 # (1.0 kg)	2.6 # (1.2 kg)	3.1 # (1.4 kg)	3.6 # (1.6 kg)	4.1 # (1.9 kg)	4.5 # (2.0 kg)	5.0 # (2.3 kg)	5.5 # (2.5 kg)	6.4 # (2.9 kg)

### MODEL 306, 307 & 308



Manufacturer reserves the right to change specifications without prior notice.

### Part Numbering System

3 0 6 - A J - 0 1 - A O

- 1 Basic Model No.**

  - 306 - 1" Dia. Aluminum
  - 307 - 1/2" 316 S.S.
  - 308 - 1" Dia. 316 S.S.
- 2 Material**

  - A. Aluminum (306 only)
  - B. 316 Stainless Steel (307-308 only)
- 3 Flow Element Length**

  - J. 6" (15 cm)
  - M. 12" (31 cm)
  - Q. 18" (46 cm)
  - S. 24" (61 cm)
  - T. 30" (76 cm)
  - U. 36" (92 cm)
  - V. 42" (107 cm)
  - W. 48" (122 cm)
  - X. 60" (152 cm)
  - Z. Special
- 4 Duct Shape**

  - 0. Rectangular
  - 1. Round
- 5 Construction**

  - 1. Double Supported only
  - 2. Vertical Duct Installation
- 6 Instrument Connections**

  - A. 1/4" FNPT
  - Z. Special
- 7 Options**

  - O. None
  - V. \*Viton® Gasket and Seal
  - Z. Special

\*Viton® is a Registered Trademark of DuPont Dow Elastomers

# Mid-West® Instrument

REPRESENTED BY:

6500 Dobry Dr. □ Sterling Heights, MI 48314  
 (586) 254-6500 □ FAX (586) 254-6509  
 E-mail: sales@midwestinstrument.com  
 Website: www.midwestinstrument.com