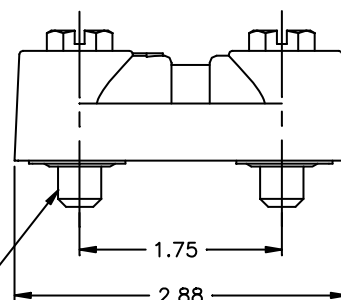
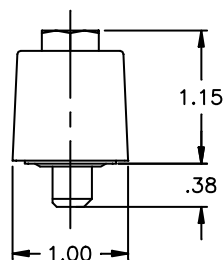


Mid-West[®] Instrument

O.E.M “Piston Type” Differential Pressure Indicator Model 444

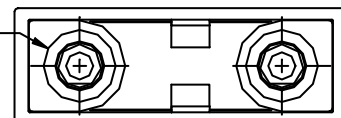
Model 444 Series differential pressure indicator offers a simple, yet functional design for use with filters, strainers, etc. This low cost indicator makes the perfect alternative to more costly differential pressure gauges where readability, small size and price are important considerations.



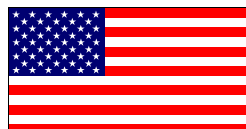
3/8-24 UNF THREADS

All dimensions in inches.

FLAT AREA OF .625 DIA.
MINIMUM REQUIRED ON
MOUNTING SURFACE—
FOR BOTH BOLTS



Made
in the
USA



Model Number	DP Range	Transition Points	
		Piston Moves @	Indicator all Red @
444-05	0-5 PSID	3.75 PSI	5.25 PSI
444-10	0-10 PSID	7.75 PSI	10.5 PSI
444-15	0-15 PSID	11.75 PSI	15.5 PSI
444-25	0-25 PSID	18.75 PSI	27.0 PSI

Minimum Order Quantity
50 UNITS

OEM Applications Quoted
Please call with specifications.

SPECIFICATIONS:		Comments:
Maximum Working Pressure	300 PSIG	
Differential Pressure Ranges: **Contact factory for additional ranges	0-5 thru 0-25 PSID**	
Accuracy	± 5% of Rated Differential Pressure Range	Calibrated at Color Transitions
Operating Temperature (Max.)	93°C (200°F)	
MATERIALS OF CONSTRUCTION:		
Body Material	Glass Filled Nylon (GFN) 6/6 Body	
Wetted Internals	Glass Filled Nylon & Stainless Steel	
Elastomers	Buna-N	
Lens	Clear Nylon	
INTERFACE:		
Process Connection:	Slotted Hex Bolt 3/8-24 UNF Chamfered Bolts Ease Installation	Flow Direction Identified on Indicator Body. Arrow Points to Low Pressure Port.