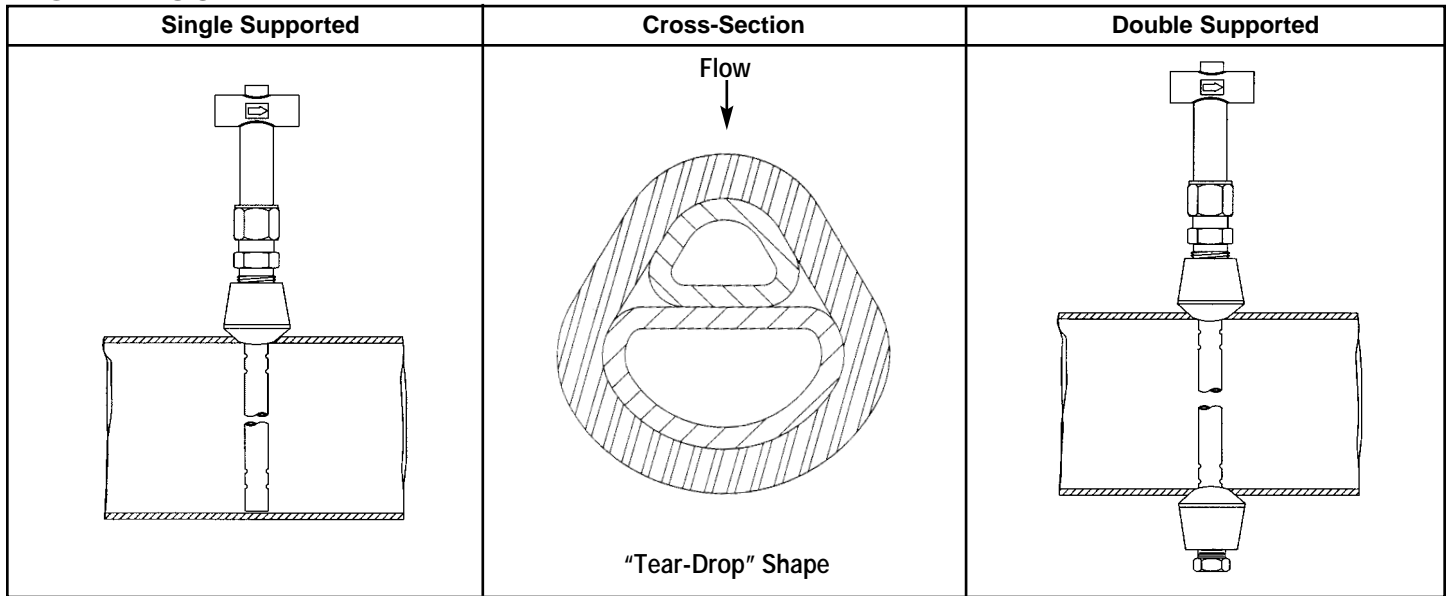


MODEL 301



Applications:

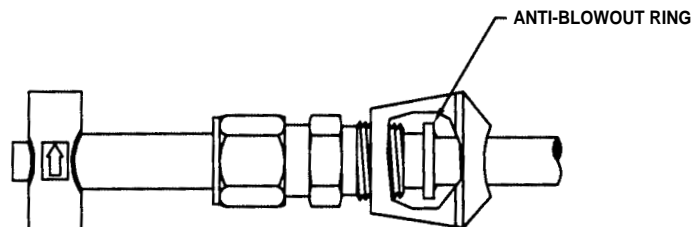
A flow element or insert type sensor for measurement of flow in pipe lines from 3" through 24"
(For larger line sizes contact factory with application details)

Specifications:

Materials of Construction	1/2" Flow Element — 316 Stainless Steel (welded), Attaching Hardware — Carbon Steel (standard) or 316 Stainless Steel (optional)	
Pipe Size & Schedule	3" through 12" nominal pipe size Schedule 40 (3" thru 10") Standard above 10" (other pipe schedules optionally available)	6" through 24" nominal pipe size Schedule 40 (3" thru 10") Standard above 10" (other pipe schedules optionally available)
Instrument Connections	1/4" FNPT (standard) - 1/2" FNPT (optional)	
Maximum Dp	See "Delta Tube Application & System Design Data" Booklet, Bulletin No. ASDE/Latest (Table No. 2)	
Maximum Working Pressure Rating for Flow Element and Attaching Hardware	2980 P.S.I.G. for carbon steel and 3210 P.S.I.G. for stainless steel attaching hardware, both at -20° – +300°F. Note: Safe system pressure and temperature limits are dependent upon the specific system configuration. For typical system temperature and pressure operating parameters, see ASDE/Latest (Table No. 4)	

Special Features:

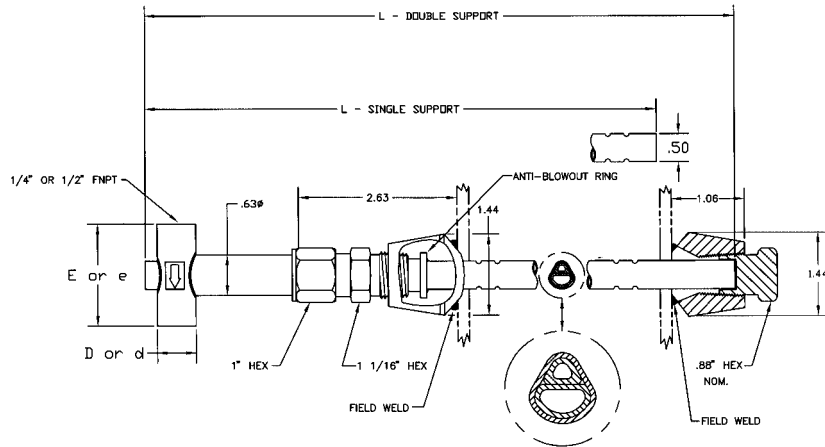
Utilizes unique "Tear-Drop" shaped averaging pitot tube with anti-blowout protection.
Provides low permanent pressure loss and low sensitivity to misalignment with respect to flow accuracy.



Part Numbering System

3 0 1 - A G - 0 0 - A O

- 1** Basic Model No.
- 2** Material
 - A - 316 S.S. Flow Element w/Carbon Steel Attaching Hardware
 - B - All 316 Stainless Steel
- 3** Size
 - G - 3"
 - H - 4"
 - J - 6"
 - K - 8"
 - L - 10"
 - M - 12"
 - N - 14"
 - P - 16"
 - Q - 18"
 - R - 20"
 - S - 24"
- 4** Schedule
 - 0 - Schedule 40 (3" through 10") ("Standard" Above 10")
 - 9 - All Other Pipe Schedule
- 5** Construction
 - 0 - Single Supported (3" thru 12")
 - 1 - Double Supported (6" thru 18")
- 6** Instrument Connections
 - A - 1/4" FNPT (Standard)
 - B - 1/2" FNPT (Optional)
 - T - Direct Transmitter Mount
- 7** Options
 - 0 - None (Standard)
 - A - Security Chain
 - B - Installation in Vertical Pipe
 - C - Saddle Clamp



Dimensional Data

Manufacturer reserves the right to change specifications without prior notice.

Nominal Pipe Dia.	D(1/2")	d(1/4")	E(1/2")	e(1/4")	L	
					Single Support	Double Support
3"	1.12	.75	3.0	1.4	8.2	—
4"					9.2	—
6"					11.3	12.9
8"					13.2	14.9
10"					15.3	17.0
12"					17.3	19.0
14"					—	20.3
16"					—	22.3
18"					—	24.3
20"					—	26.3
24"	—	30.3				

Mid-West[®] Instrument

REPRESENTED BY

6500 Dobry Dr. □ Sterling Heights, MI 48314
 (586) 254-6500 □ FAX (586) 254-6509
 E-mail: sales@midwestinstrument.com
 Website: www.midwestinstrument.com