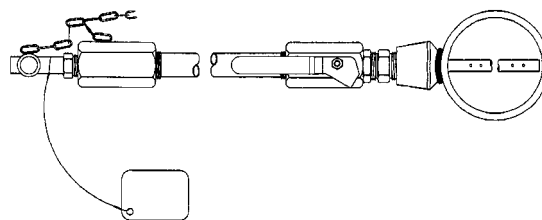
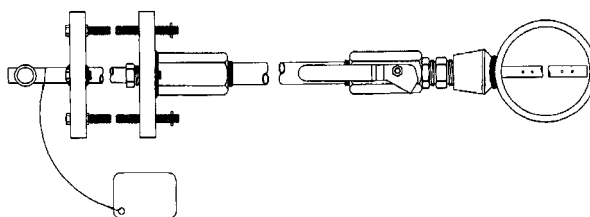




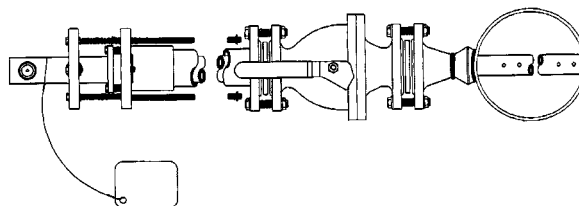
MODELS 311, 312
(TYPICAL)
1/2" & 1" SIZE
FLOW ELEMENTS



**MODELS 321, 322,
331, 332**
(TYPICAL)
1/2" & 1" SIZE
FLOW ELEMENTS



MODEL 323
(TYPICAL)
2 1/4" SIZE
FLOW ELEMENT



**FUNCTIONS &
APPLICATIONS:**

Provides for insertion & removal of Delta-Tube (Averaging Pitot Tube) in a pressurized system.

Specifications:	MODELS 311 & 312	MODELS 321, 322, 331 & 332	MODEL 323
Materials of Construction	Flow Element — 316 Stainless Steel, Attaching Hardware Carbon Steel (standard) or 316 Stainless Steel (optional)		
Instrument Connections	1/4" FNPT (STANDARD) - 1/2" FNPT (OPTIONAL)		
STANDARD NOMINAL Pipe Size & Schedule	311 - 3" THRU 24" 312 - 3" THRU 60"	321 - 3" THRU 24" 322 - 3" THRU 60" 331 - 3" THRU 24" 332 - 3" THRU 60"	323 - 14" THRU 60"
MAXIMUM DP (IN H₂O)	See Mid-West Instrument Application And System Design Data Booklet		
MAXIMUM PERMISSIBLE FLOW RATES (WATER) @ 100°F	311 - 3" - 500 GPM 24" - 6500 GPM 312 - 3" - 750 GPM 60" - 31000 GPM	321-331 - 3" - 500 GPM 24" - 6500 GPM 322-332 - 3" - 750 GPM 60" - 31000 GPM	323 - 14" - 12000 GPM 60" - 80000 GPM
MAXIMUM WORKING PRESSURE RATING @ 100°F	100 PSI (7 BAR)	321-1225 PSI (85 BAR) 322-1000 PSI (69 BAR) 331-1225 PSI (85 BAR) 332-1225 PSI (85 BAR)	275 PSI (19 BAR)
See Mid-West Instrument Application And System Design Data Booklet For Derating @ Elevated Temperature			

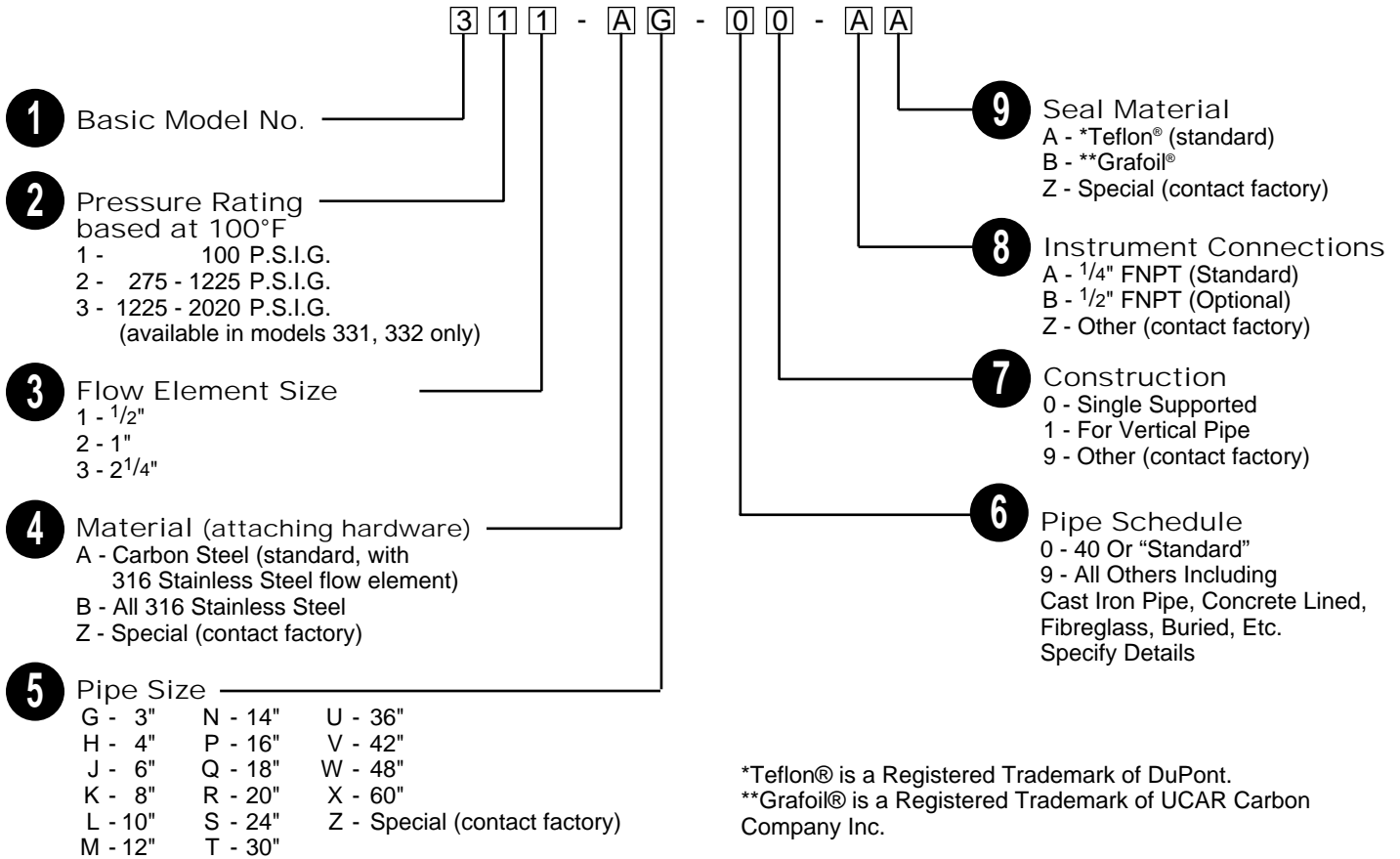
Special Features:

When appropriate drilling equipment is used, the Delta-Tap can be installed & provide flow measurement information without the necessity of system shutdown.

Related Products Available:

A broad variety of flow indicators, with or without switches are available, as well as portable test kits, pulsation dampeners, pressure limiting valves & instrument manifolds.

Part Numbering System



Isolation Valve Information

- Model 311, 321, 331 - 3/4" FNPT Full Ported Ball Valve, Standard (Carbon Steel Standard: 316 S.S. Optional)
- Model 312, 322, 332 - 1 1/2" FNPT Full Ported Ball Valve, Standard (Carbon Steel Standard: 316 S.S. Optional)
- Model 323 - 3" Flanged Full Bore 150# R.F. Ball Valve, Standard (Carbon Steel Standard: 316 S.S. Optional)

NOTE: Standard valves have reinforced Teflon® seats.

CONTACT FACTORY FOR OTHER AVAILABLE VALVES.

REPRESENTED BY

Mid-West® Instrument

6500 Dobry Dr. □ Sterling Heights, MI 48314
 (586) 254-6500 □ FAX (586) 254-6509
 E-mail: sales@midwestinstrument.com
 Website: www.midwestinstrument.com