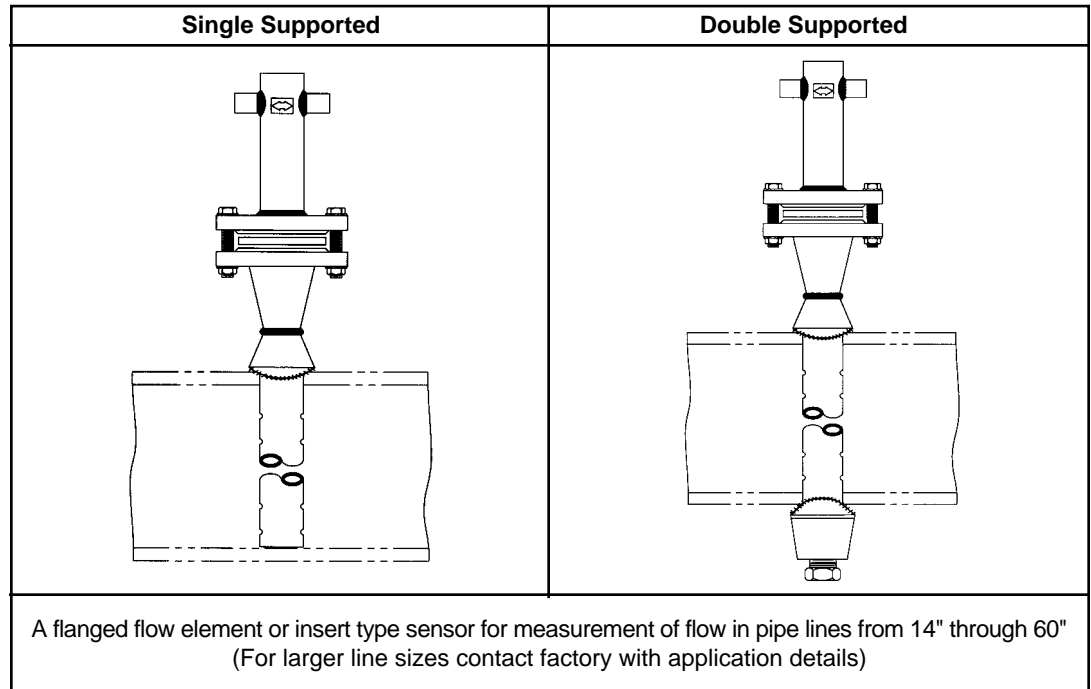


**FLANGED
MODELS
343 thru 383**



**Functions &
Applications:**

Specifications:

Materials of Construction	Flow Element — 316 Stainless Steel (welded), Attaching Hardware – Carbon Steel (standard) or 316 Stainless Steel (optional)	
Pipe Size & Schedule	14" through 60" nominal pipe size Standard or Schedule 40 (other pipe schedules optionally available)	20" through 60" nominal pipe size Standard or Schedule 40 (other pipe schedules optionally available)
Instrument Connections	1/4" FNPT (standard) - 1/2" FNPT (optional)	
Maximum Dp	See "Delta Tube Application & System Design Data" Booklet, Bulletin No. ASDE/Latest (Table No. 2)	
Maximum Working Pressure Rating for Flow Element and Attaching Hardware	For Class 150# flange @ 100°F (38°C) - 235 P.S.I.G. (1620kPa) max. For Class 150# flange @ 600°F (315°C) - 140 P.S.I.G. (965kPa) max. For other temperature or flange ratings consult ANSI-B16.5	

Special Features:

<p>Available with Class 150# flanges (standard) or Class 300, 600, 900, or 1500 as optional</p>

Related Products Available:

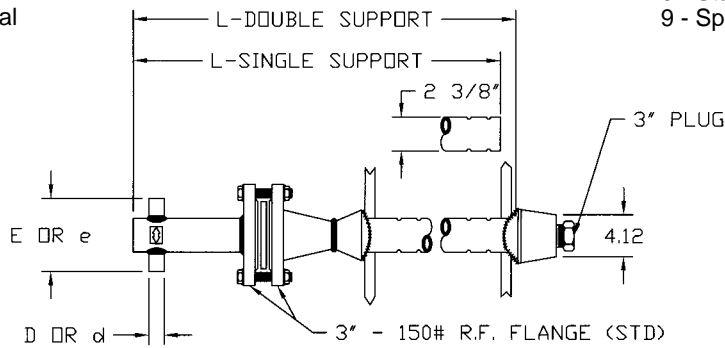
Indicators & Switches	A broad selection of indicators, with or without switching, are available. For details please refer to Mid-West Bulletins on Models 105 & 130.
Portable Indicators	A wide variety of portable indicators are also available. Please see Mid-West Bulletin 800/Latest

Part Numbering System

3 4 3 - A N - 0 0 - A A

- 1** Basic Model No.
- 2** Flange Rating
 - 4 - 150#
 - 5 - 300#
 - 6 - 600#
 - 7 - 900#
 - 8 - 1500#
 - 9 - Special
- 3** Flow Element Diameter
 - 3 - 2-3/8"
- 4** Material (Flow Element-316 S.S.), Attaching Hardware:
 - A - Carbon Steel
 - B - Stainless Steel
 - Z - Special
- 5** Pipe Size

N - 14"	S - 24"	W - 48"
P - 16"	T - 30"	X - 60"
Q - 18"	U - 36"	Y - 72"
R - 20"	V - 42"	Z - Special
- 6** Pipe Schedule
 - 0 - Standard Schedule
 - 9 - Special
- 7** Construction
 - 0 - Single Supported (For Installation in Horizontal Pipe)
 - 1 - Double Supported (For Installation in Horizontal Pipe)
 - 2 - Single Supported (For Installation in Vertical Pipe)
 - 3 - Double Supported (For Installation in Vertical Pipe)
 - 9 - Special
- 8** Instrument Connections
 - A - 1/4" FNPT (Standard)
 - B - 1/2" FNPT
 - Z - Special
- 9** Gasket Material
 - A - C.S. & Graphite
 - O - None (Standard)
 - Z - Special



Dimensional Data

XXXXX = FIELDWELD

Nominal Pipe Dia.	D(1/2")	d(1/4")	E(1/2")	e(1/4")	L-Single Support	L-Double Support
	Model 343	Model 343	Model 343	Model 343	Model 343	Model 343
14"	1.12	.75	4.12	3.63	24.81	25.31
16"					26.81	27.31
18"					28.81	29.31
20"					30.81	31.31
24"					34.81	35.31
30"					40.81	41.31
36"					46.81	47.31
42"					52.81	53.31
48"					58.81	59.31
60"					70.81	71.31
72"					82.81	83.31

Mid-West®

Instrument

REPRESENTED BY

6500 Dobry Dr. □ Sterling Heights, MI 48314
 (586) 254-6500 □ FAX (586) 254-6509
 E-mail: sales@midwestinstrument.com
 Website: www.midwestinstrument.com