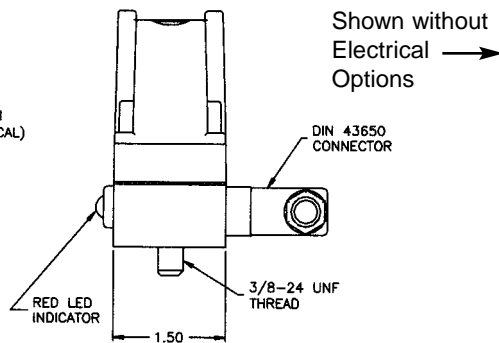
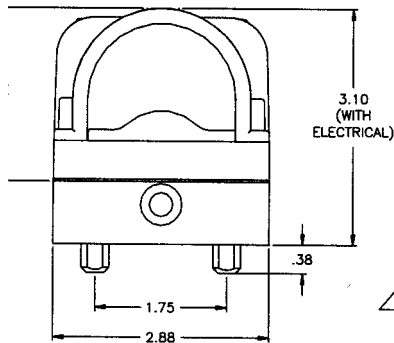
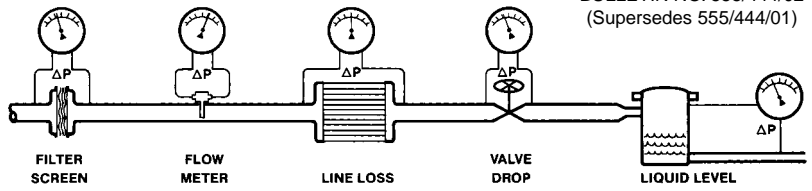


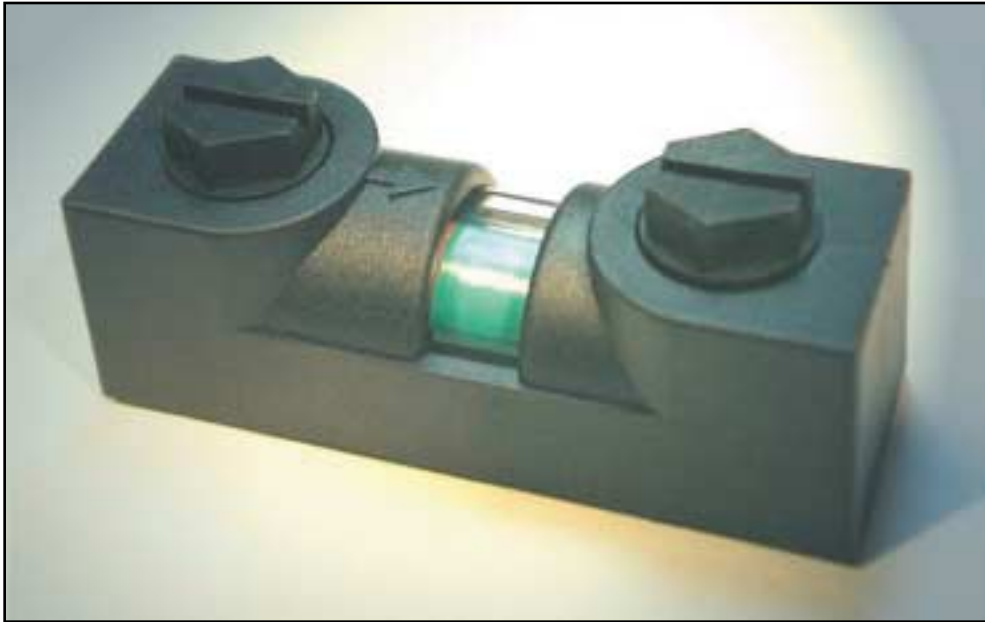
Mid-West[®] Instrument



MODEL 555 SERIES DIFFERENTIAL PRESSURE GAUGE

Differential Pressure Range	6 PSID at Green/Yellow Transition 10 PSID at Yellow/Red Transition	Other Options Possible
Leakage	None, Diaphragm Isolated Hi to Lo	
Pressure (Ratings) Max Working	300 PSIG	
Accuracy	± 5% of Rated Differential Pressure Range at Color Transitions	3 Color Dial: Green/Yellow/Red. Other Options Possible
Operating Temperature (Max.)	200°F (93°C)	
Body Material	Glass Filled Nylon (GFN)	
Wetted Internals	Stainless Steel, Ceramic, & GFN	
Elastomers	Buna-N	
Movement	Magnetic Piston and Follower Pointer	
Dial	Plastic Lens with 3 Color Dial	Other Options Possible
Electrical: (Optional)		
Switch (Resistive Load):	SPST	
Rating:	50 Watts, 0.45 Amps, 240 VAC/VDC	Maximum Ratings
Set Point Accuracy	TBD	
Hysteresis:	8% Nominal	
Indicator:		
Color & Size:	Red 8MM LED	Brightness varies with input voltage
Operational Voltage Range	24VAC/VDC through 240 VAC/VDC	
Process Connections:	3/8-24" Molded Bolts, 1.75" Spacings	
Electrical:	Electrical base can be rotated 180° prior to filter mounting	
Connections:	DIN 43650, 3 Contact Connector + Chassis Gnd 0.138 thru .236 Cable Gland Wire Entry	Includes mating connector
Environmental Rating:	IP-65 Protection Class (Mated)	
Wiring Connector Contacts:		
SPST: Normally Open	Connect input power between contacts 1 & 2. Switch Output is connected to 3. For DC Input pin 1 must be of positive polarity with respect to pin 2.	

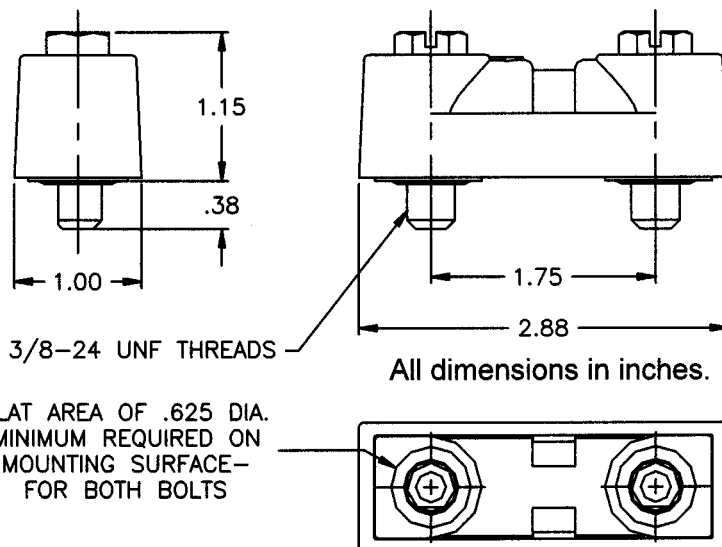
MODEL 444 SERIES DIFFERENTIAL PRESSURE INDICATOR



The Model 444 Series differential pressure indicator offers a simple, yet functional design for use with filters, strainers, etc. This low cost indicator makes the perfect alternative to more costly differential pressure gauges where readability, small size and price are important considerations. **Design features include:**

- Glass-filled Nylon 6/6 Body
- Clear Nylon Lens
- Buna-N Elastomers
- Ranges from 0-5 thru 0-25 psid*
*Contact factory for other ranges
- Slotted Hex Bolt 3/8-24UNF
- Directional Flow Arrow
- 200°F (93°C) Temperature Rated
- 300 psig Rated Working Pressure
- Internals: Glass-filled Nylon & Stainless Steel
- Green to Red Sliding Indication
- Chamfered Bolts Ease Installation

REPRESENTED BY:



Mid-West®
Instrument

6500 Dobry Dr. □ Sterling Heights, MI 48314
(586) 254-6500 □ FAX (586) 254-6509
E-mail: sales@midwestinstrument.com
Website: www.midwestinstrument.com

Printed in U.S.A.