

Mid-West[®] Instrument

SERIES 6000

DIFFERENTIAL PRESSURE GAUGES

*Measure Positive, Negative
or Differential Pressures*



Large easy-to-read 4" dial.



Applications:

- Air Velocity
- Filter Resistance
- HVAC
- Furnace Draft
- Pressure Drop across Orifice plates
- Duct Static Pressure
- Clean Room Pressure
- Building Pressure
- Fan and Blower Pressure
- Dust Collectors
- Bubbler Systems
- Pharmaceutical Industry
- Semi Conductor Industry
- System Purge

Mid-West Series 6000 low range differential pressure gauge — guaranteed within 2% of full scale — choose the DP range to match your specific application. The frictionless series 6000 gauge movement quickly indicates low air or non-corrosive gas pressures — either positive, negative (vacuum) or differential. The design resists shock, vibration and over-pressures.

Mid-West Series 6000 low range differential pressure gauge design is the industry standard to measure fan and blower pressures, filter resistance, air velocity, furnace draft, pressure drop across orifice plates, liquid levels with bubbler systems and pressures in fluid amplifier or fluidic systems. It also checks gas-air ratio controls and automatic valves, and monitors blood and respiratory pressures in medical care equipment as well as other applications in the pharmaceutical and semiconductor manufacturing industry.

SPECIFICATIONS:

Use: Air and non-combustible, compatible gases.

Wetted Materials: Silicone Rubber Diaphragm, Aluminum and 304 SS internal metal parts

Case and Bezel Material Die Cast Aluminum Housing with acrylic lens.

Dial Size: 4" (101.6 mm) Diameter.

Accuracy: Full scale at 70°F (21.1°C)

±4% on 0-0.25" H₂O / ±3% on 0-0.50" H₂O. / ±2% on 0-1.0" to 0-20 PSID

Accuracy Bi-Directional:

±3% on 0.25"-0-0.25" H₂O

±2% on 0.50"-0-0.50", 1.0"-0-1.0", 2.0"-0-2.0", 5.0"-0-5.0", 10.0"-0-10" & 15.0"-0-15.0" H₂O

Pressure Limits: -68 kPa (-20 Hg) to +15 PSI (100 kPa) 35 PSI option (241 kPa)

Temperature Limits: 20 to +140°F.* (-6.67 to 60°C).

Mounting Position: Diaphragm in Vertical Position.

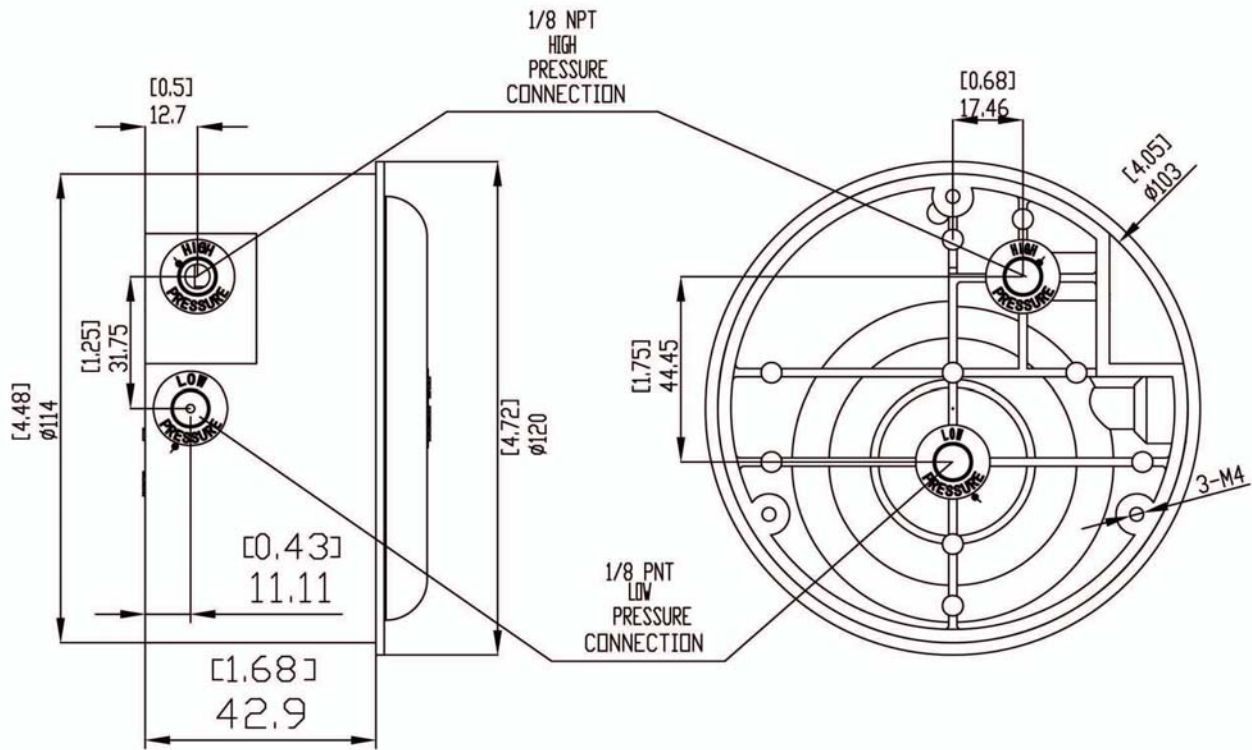
Process Connections: 1/8" FNPT duplicate high and low pressure taps:

One (1) pair side and one (1) pair back

Weight: 1 lb 2 oz (510 g) 15 PSI SWP / 2 lb 2 oz (963 g) 35 PSI SWP

Standard Accessories: (2) 1/8" NPT plugs for duplicate pressure taps,

(2) 1/8" pipe thread to rubber tubing adapter and three flush mounting adapters with screws.



Model Number	Range
60001	0-0.25" H2O
60002	0-0.50" H2O
60003	0-0.50" H2O & 0-125 Pa
60004	0-1.0" H2O
60005	0-1.0" H2O & 0-250 Pa
60007	0-2.0" H2O & 0-500 Pa
60009	0-3.0" H2O & 0-750 Pa
60011	0-4.0" H2O & 0-1.0 kpa
60012	0-5.0" H2O
60013	0-6.0" H2O & 0-1.5 kpa
60014	0-8.0" H2O & 0-2.0 Kpa
60015	0-10" H2O
60016	0-10" H2O & 0-2.5 kpa
60017	0-15" H2O
60018	0-20" H2O
60019	0-30" H2O
60020	0-40" H2O
60021	0-50" H2O
60022	0-60" H2O
60023	0-100" H2O

Model Number	Range
61005	0-5 PSID
*61006	0-10 PSID
*61007	0-15 PSID
*61008	0-20 PSID
62100	.25-0-.25 In H2O
62101	.50-0-.50 In H2O
62102	1.0-0-1.0 In H2O
62103	2.0-0-2.0 In H2O
62106	5.0-0-5.0 In H2O
62107	10-0-10 In H2O
62108	15-0-15 In H2O

* Body 35 PSIG SWP



Air Filter Kit: #69003 - adapts any standard Mid-West Series 6000 Low range Differential Pressure gauge for use as an air filter gage. Includes aluminum surface mounting bracket with screws, (2) 5 ft (1.5 m) lengths of 1/4" aluminum tubing, (2) static pressure tips & (2) cast metal vent valves.