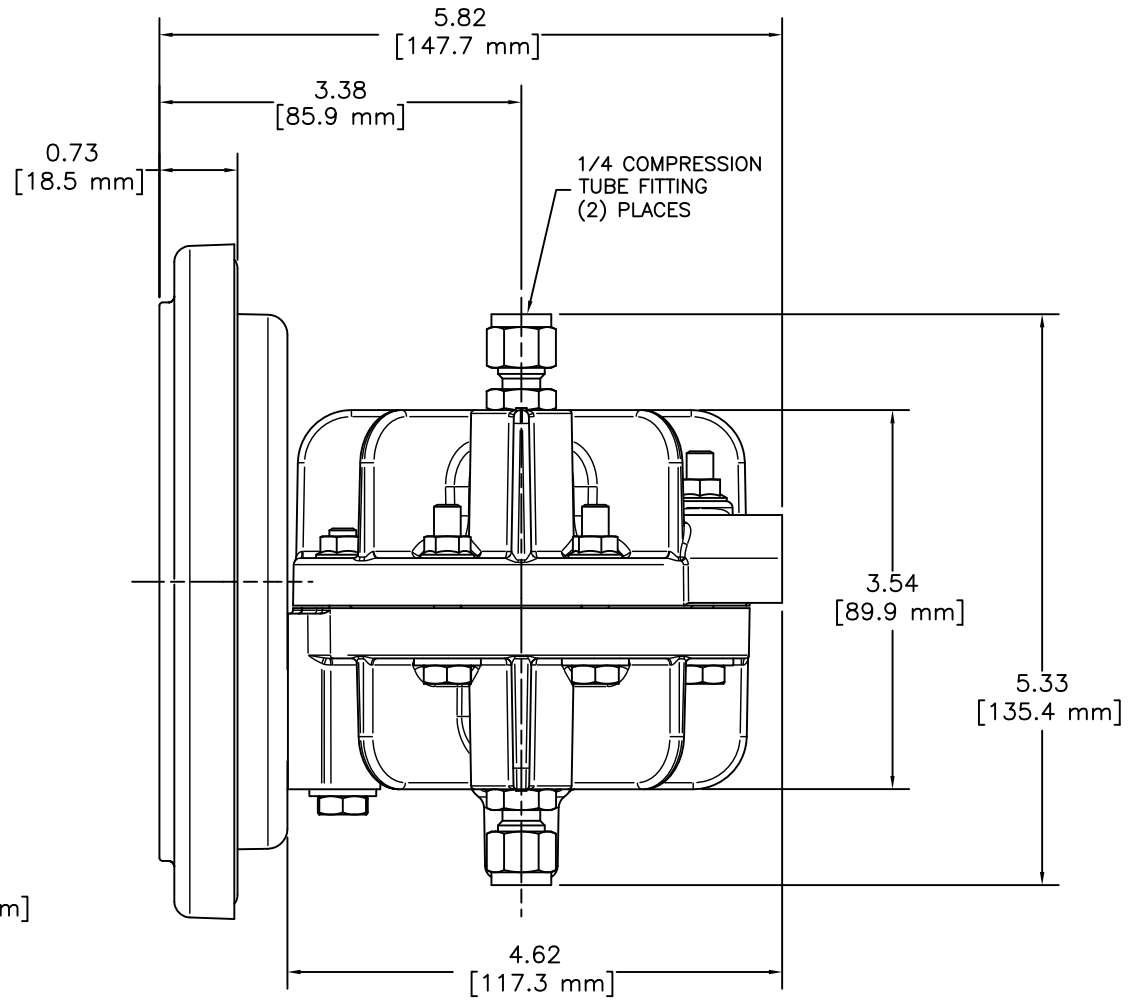
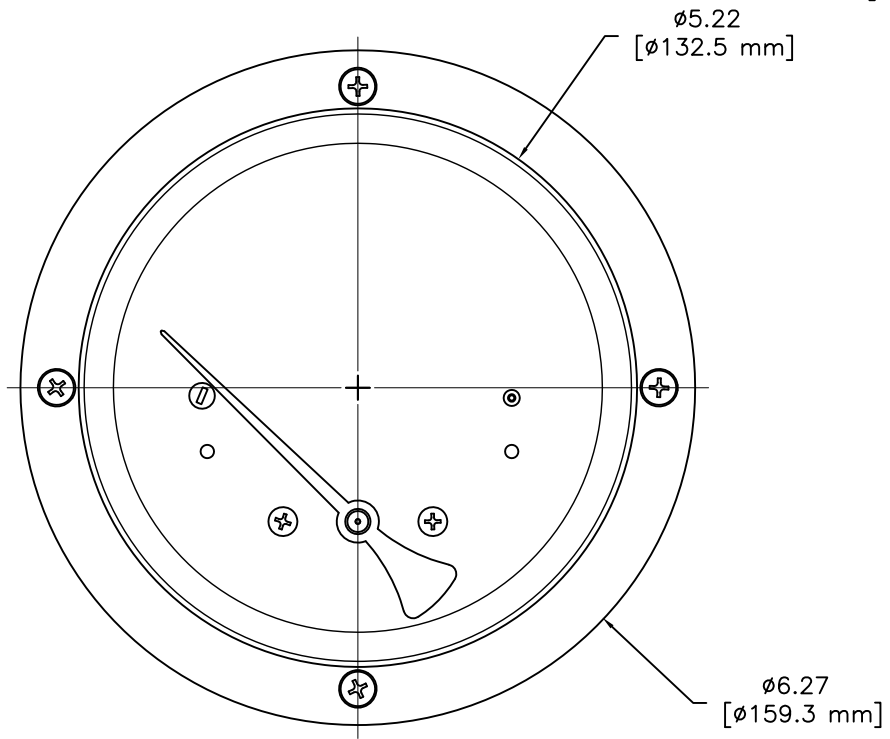
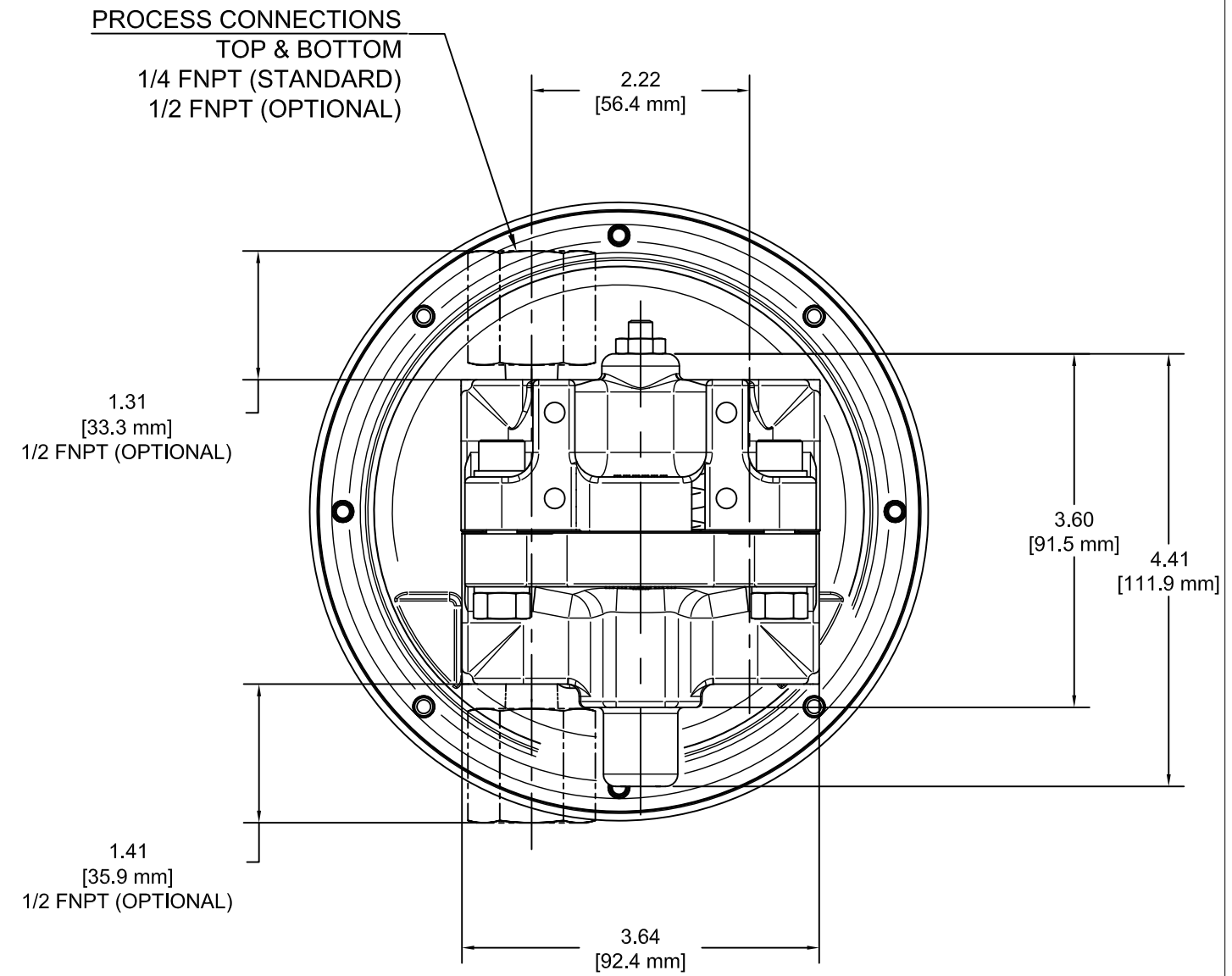
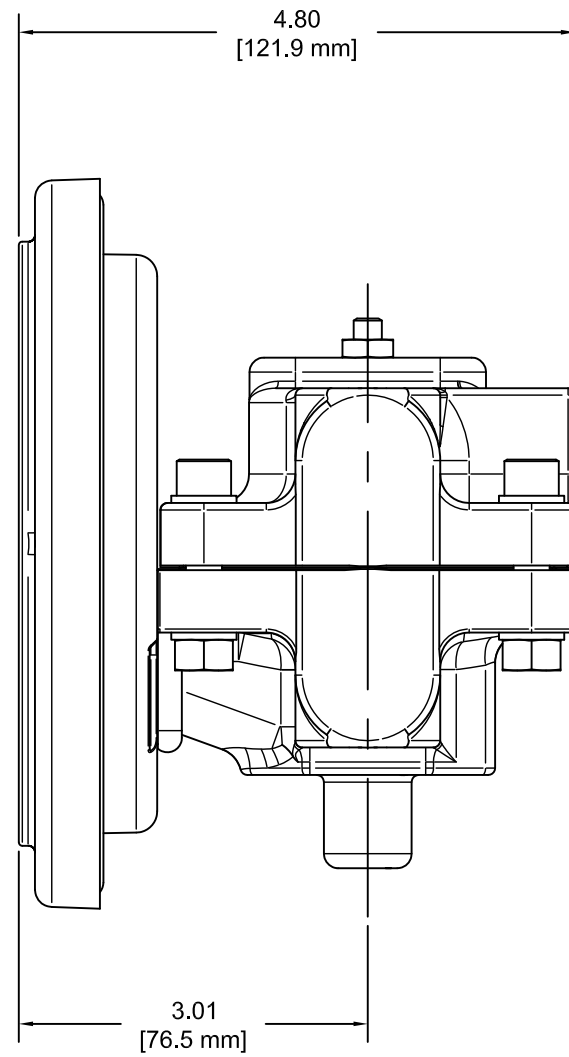
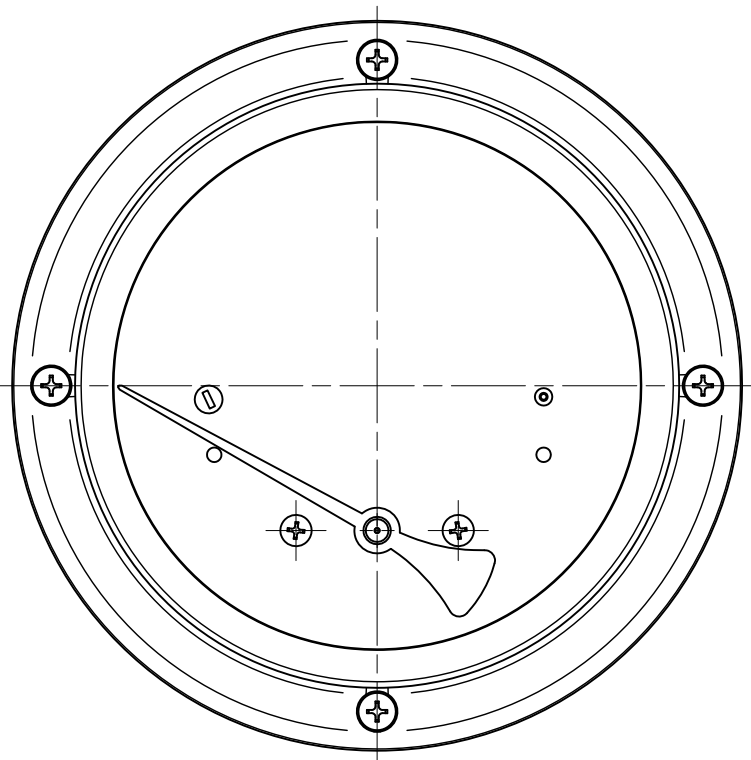


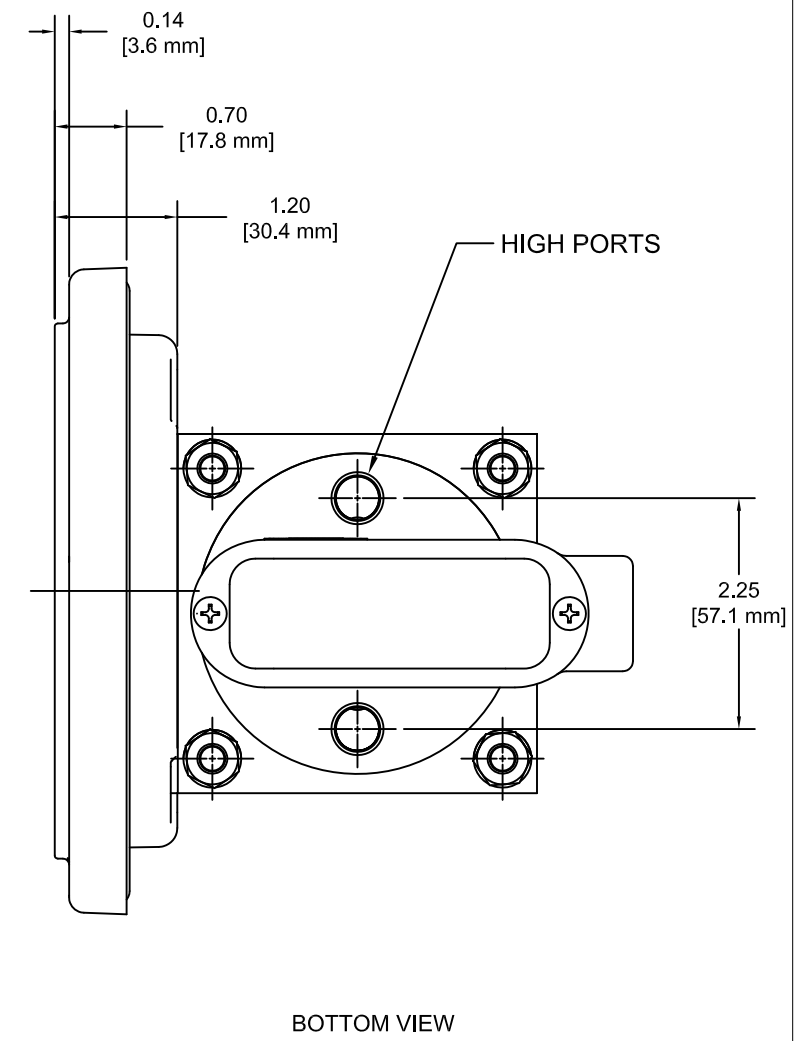
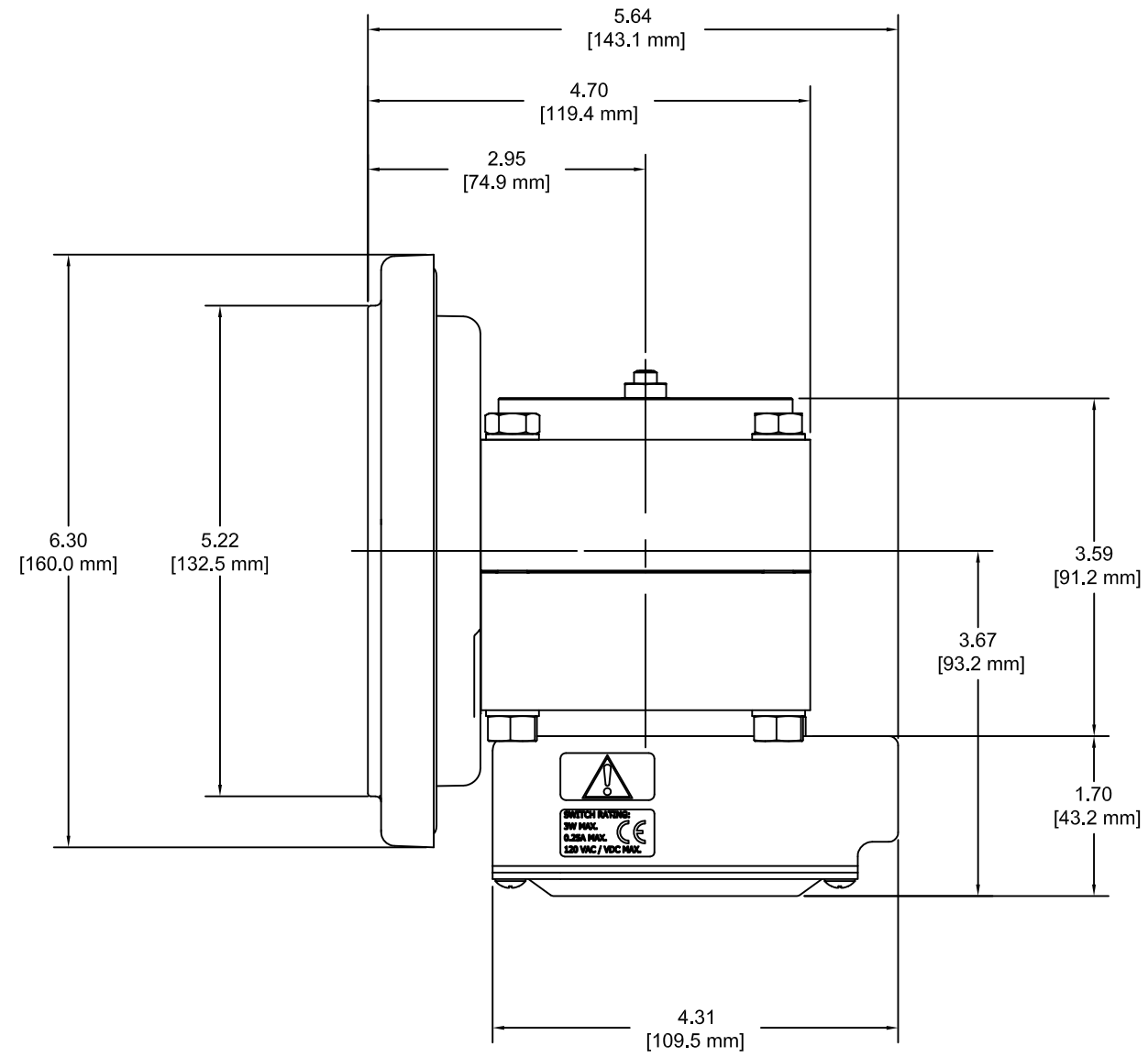
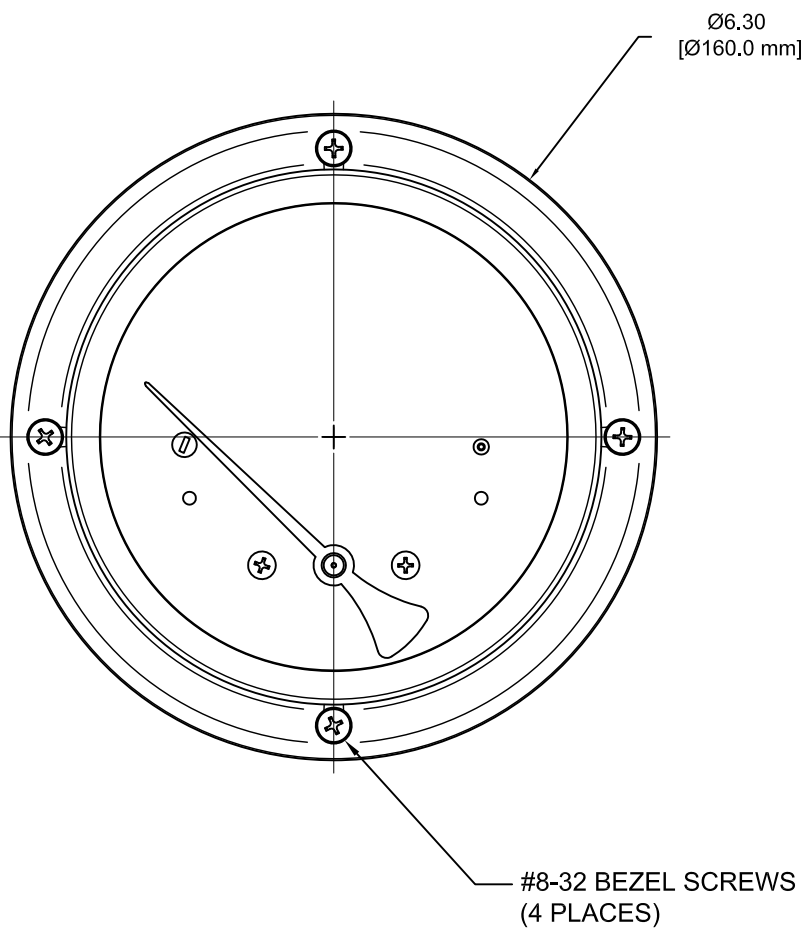
MODEL 130 P



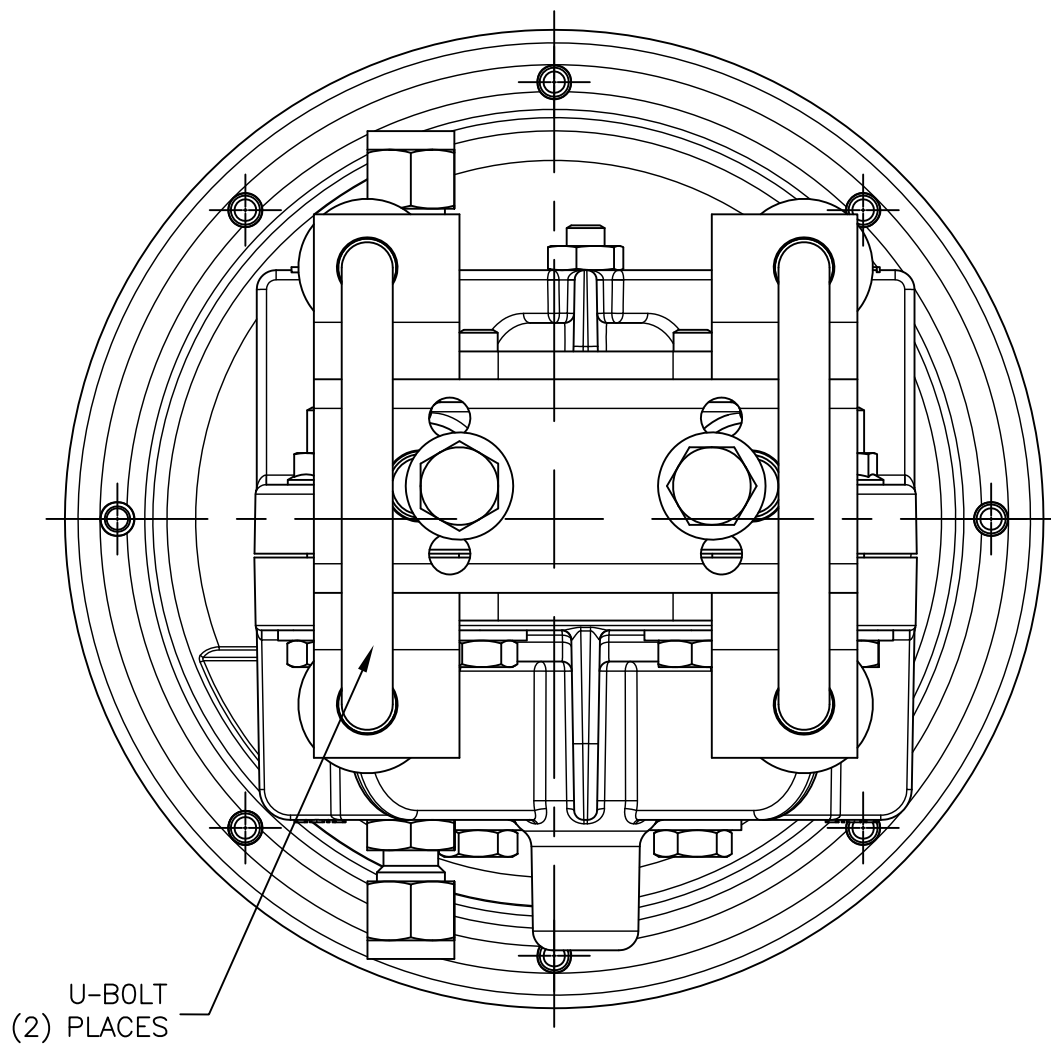
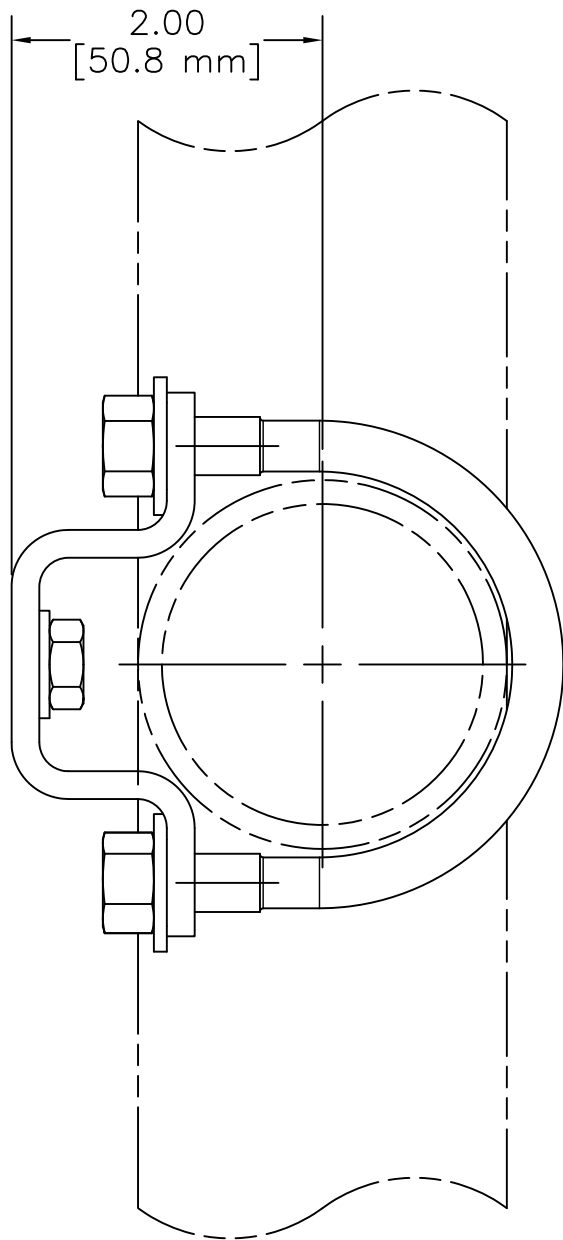
STAINLESS STEEL (CAST BODY) GAUGE



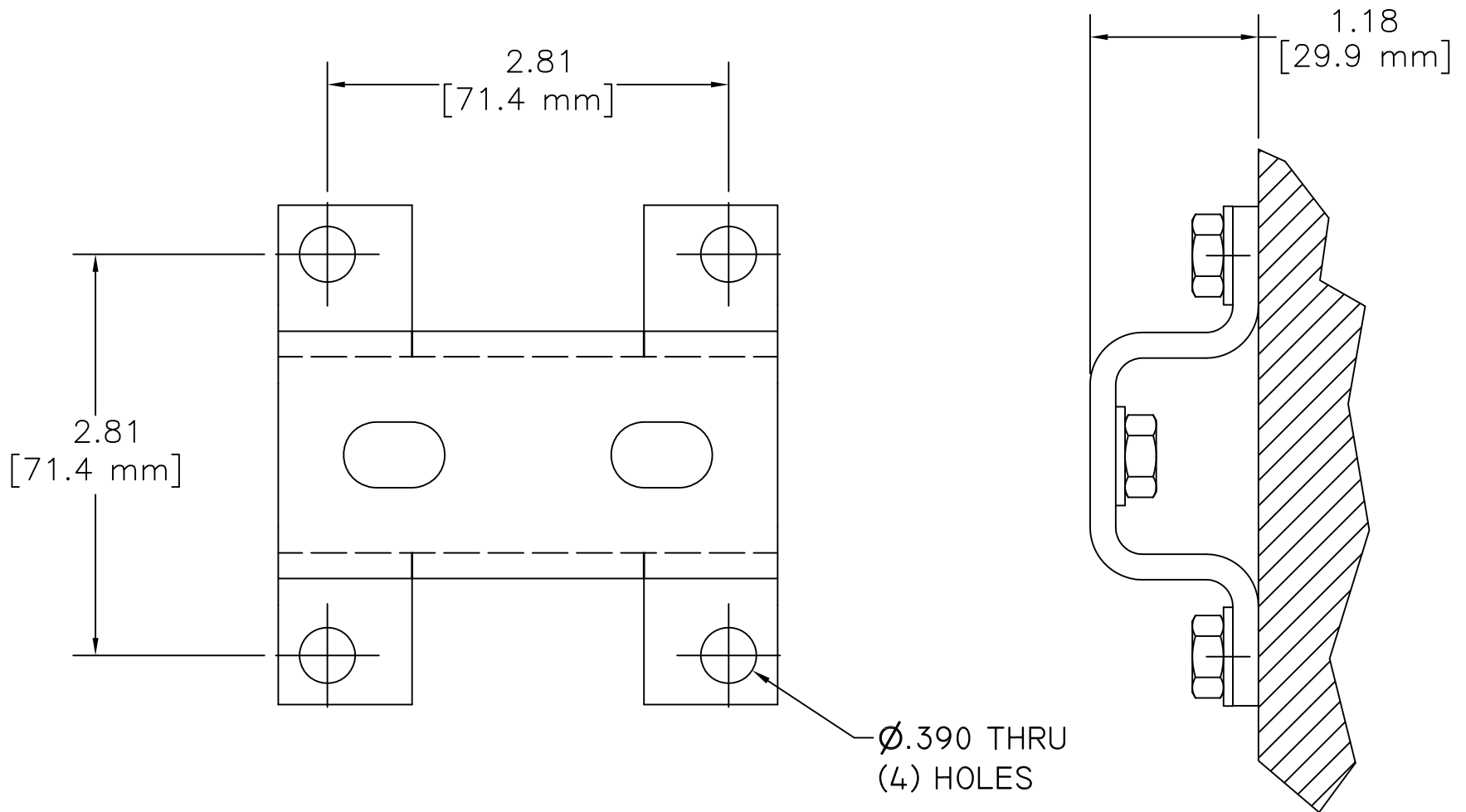
ALUMINUM & BRASS (BAR STOCK) BODIED GAUGE ELECTRICAL CONDULET

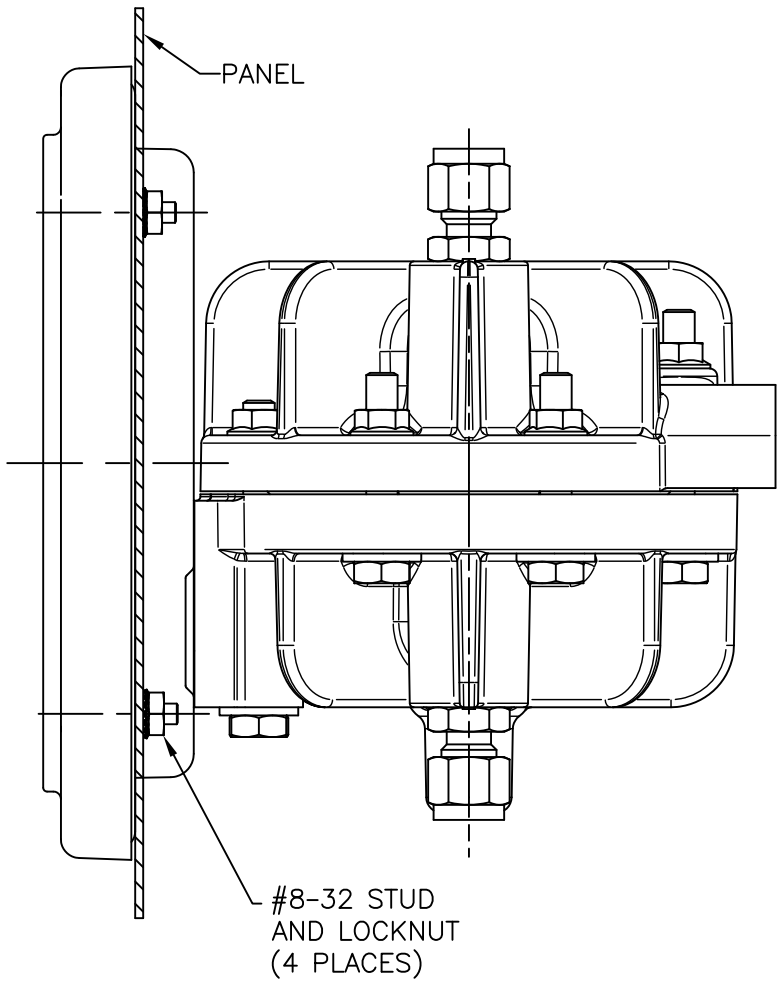


2 INCH PIPE MOUNT (FOR VERTICAL OR HORIZONTAL PIPE)



# WALL MOUNT HOLE PATTERN





MODEL 130  
4-1/2 in. DIAL PANEL CUT-OUT

