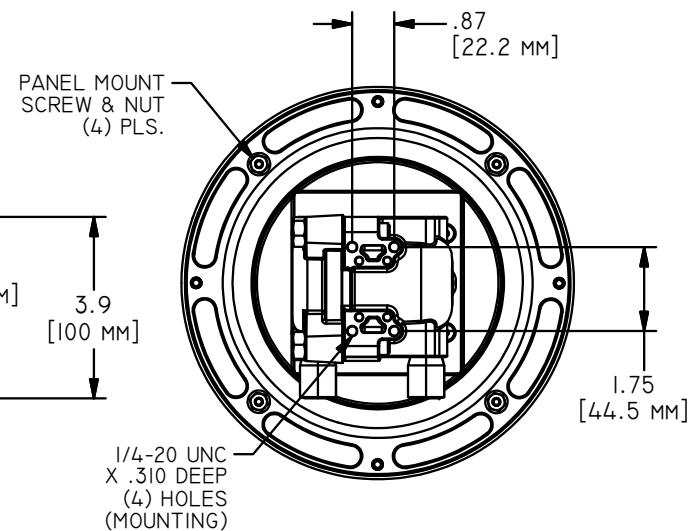
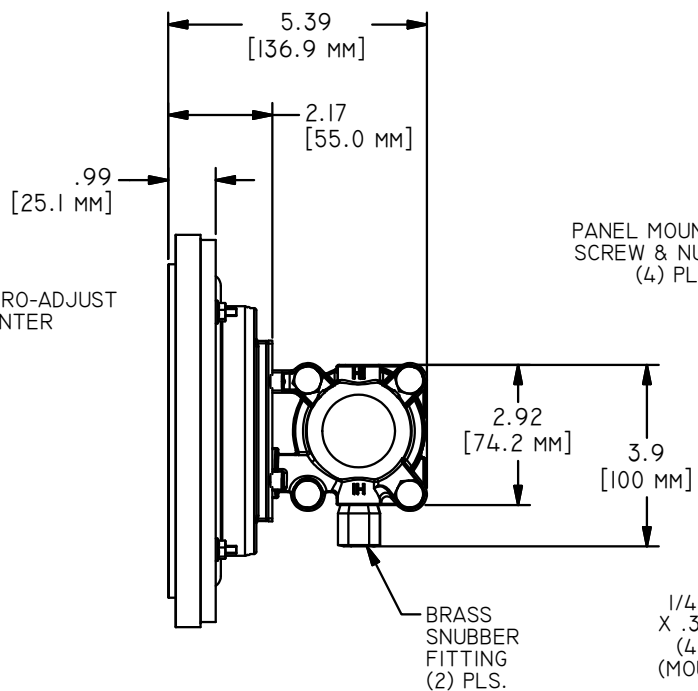
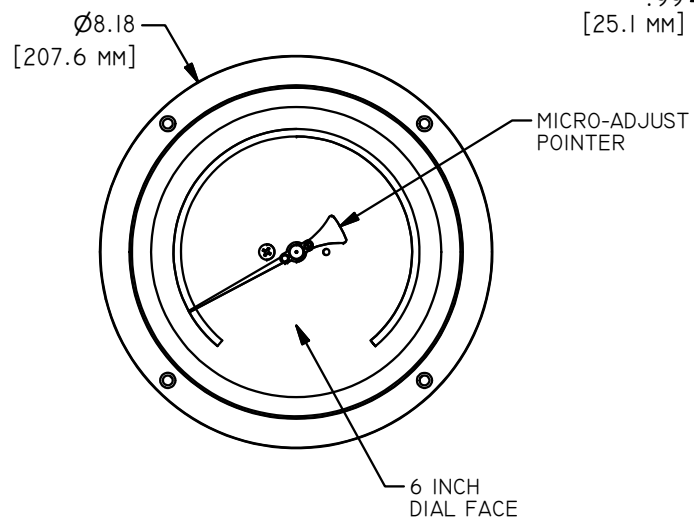
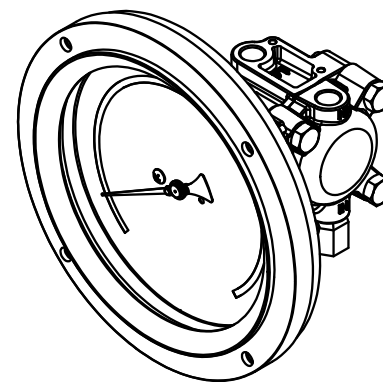
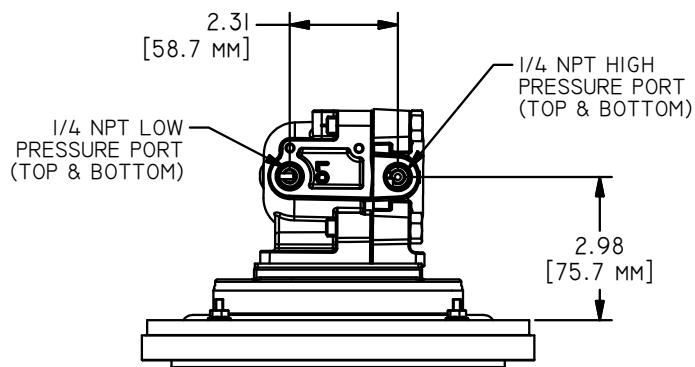
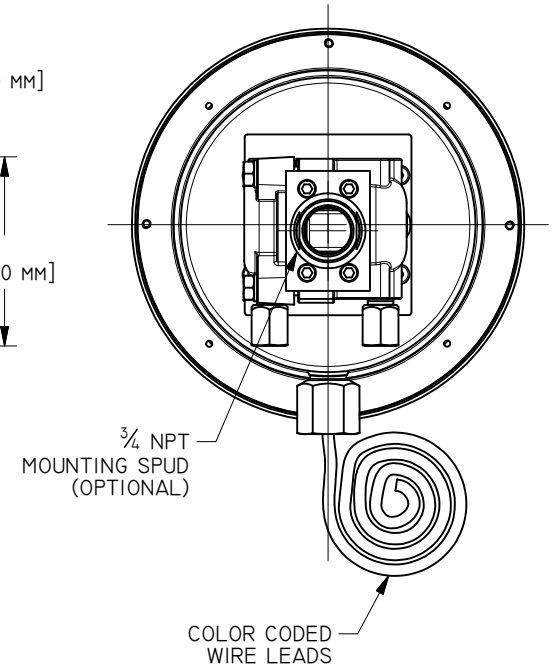
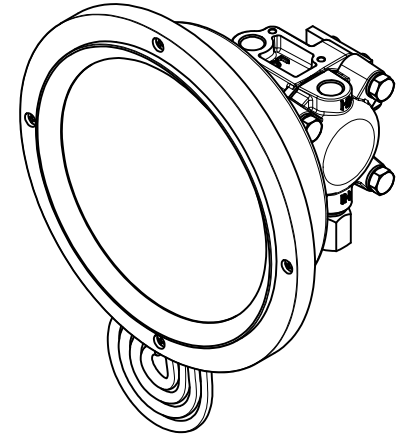
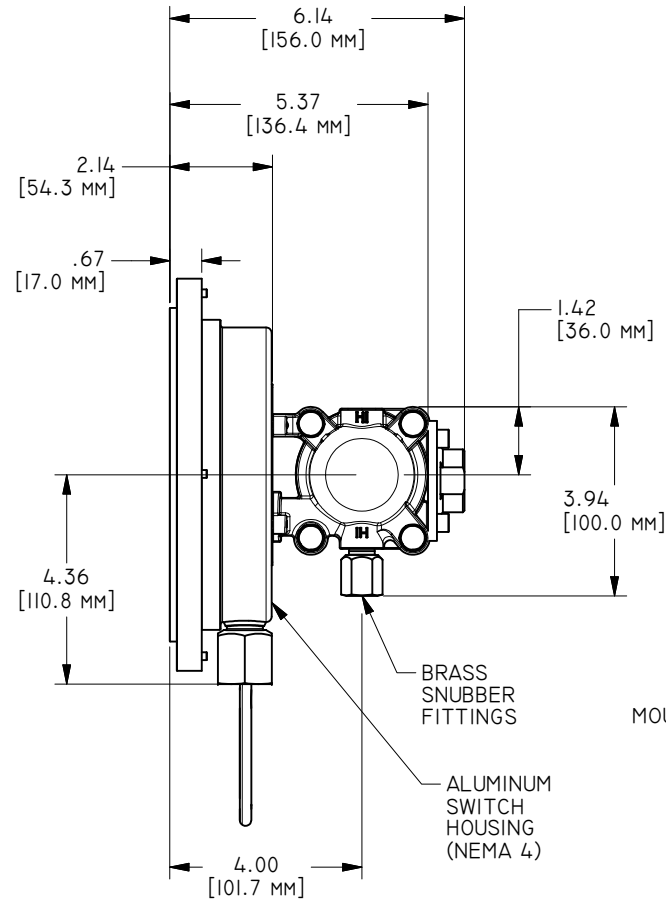
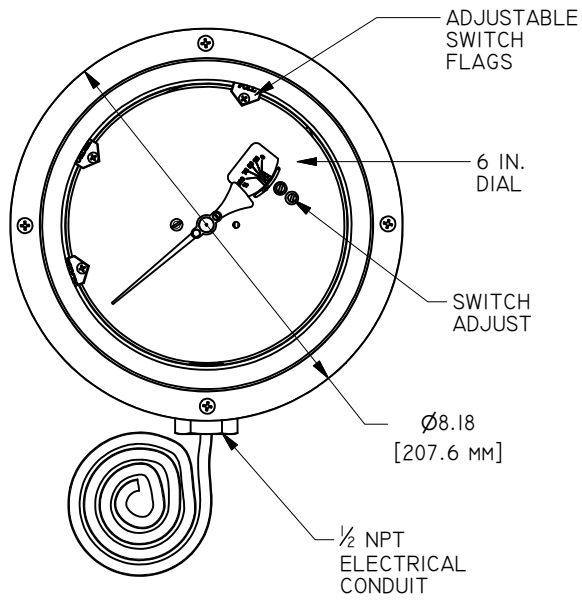
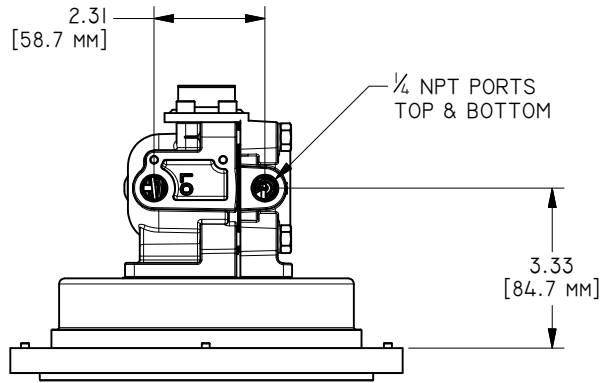


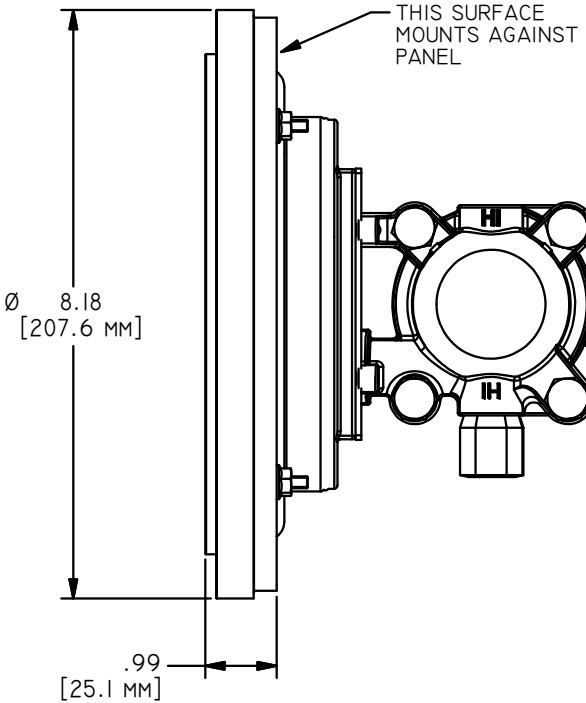
MODEL 116 DIMENSIONS



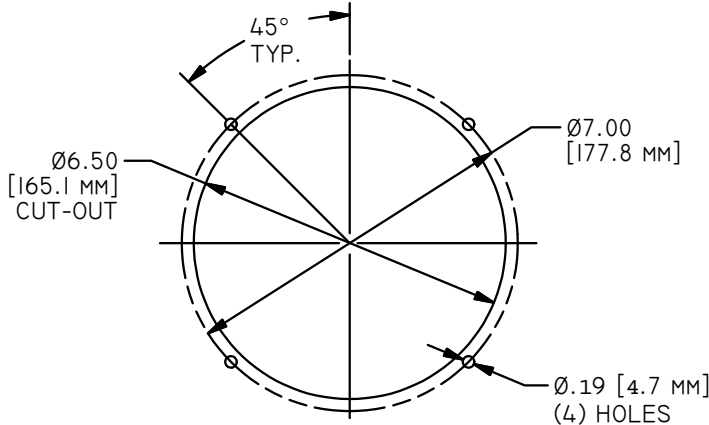
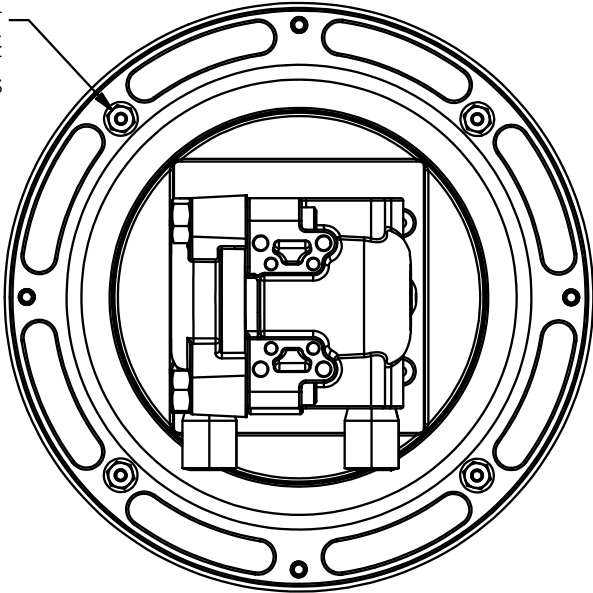
MODEL 116 MICROSWITCH



MODEL 116 PANEL MOUNT

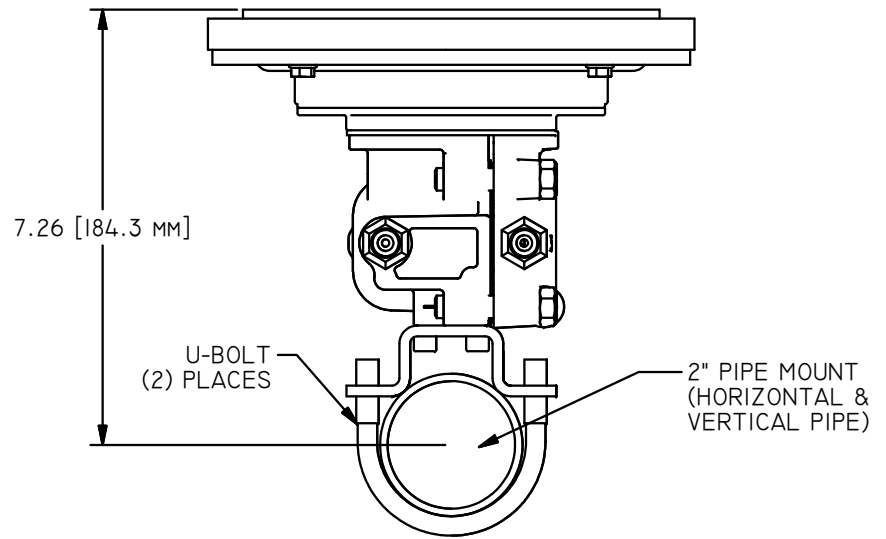
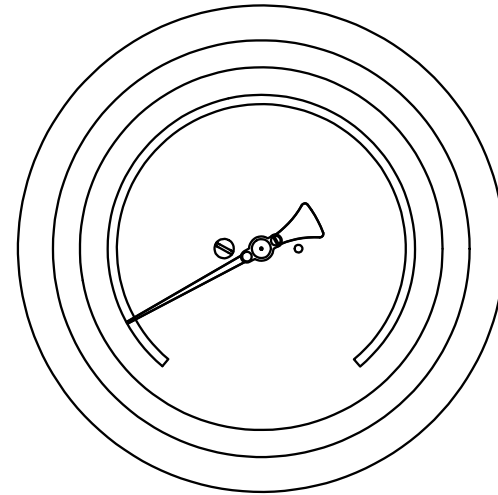
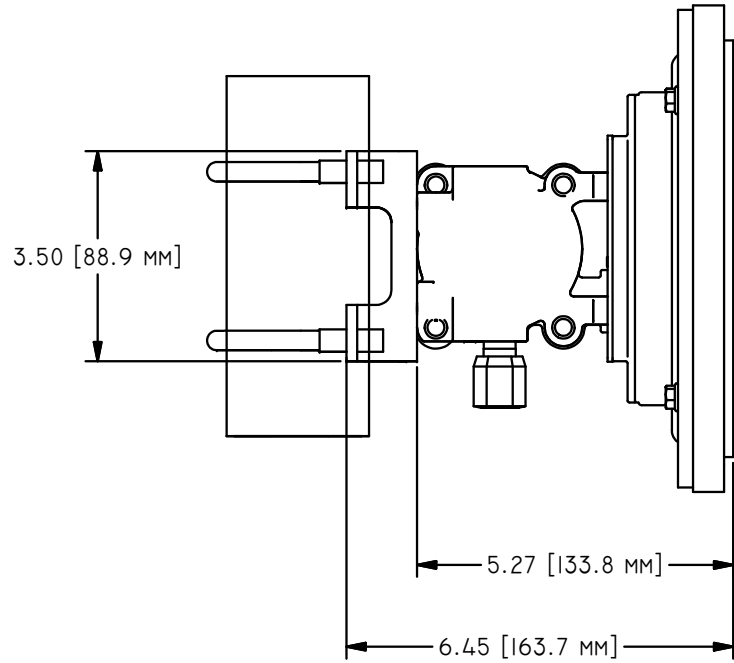


PANEL MOUNT #8-32 UNC SCREW & NUT (4) PLACES



PANEL CUT-OUT

MODEL 116 PIPE MOUNT



MODEL 116 STUB MOUNT

