

# Mid-West<sup>®</sup> Instrument

## 3 & 5 Valve

### Differential Pressure Manifolds



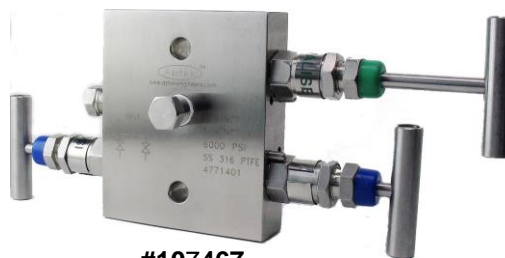
**#113343**  
**3-Valve Mini- Manifold**



**#107469**  
**5-Valve Manifold**



**#107470**  
**3-Valve Manifold**



**#107467**  
**Direct Mount 3-Valve Manifold**  
**(Use with Model 105, 106, 115, and 116)**

3 & 5 valve manifolds are designed for applications where direct mounting to an instrument is impractical or undesirable. The manifold is mounted to the lines from the instrument and signal rather than directly to instrument. Bubble tight shut-off, lightweight, super strong construction, compact designs that require less parts, chrome plated stems that prevent galling and stripping- these valves are built to perform under pressure. MOC in accordance with NACE MR0175 is available upon request.

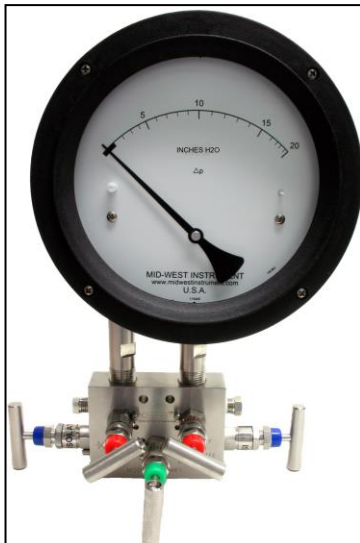
- **Pressure rating:** 6000 PSIG (413 bar) @ 212°F (100°C)
- **Material:** 316 Stainless Steel / 316L Stainless steel
- **Instrument Connections:**
- 3-Valve Mini #113343 = 1/4" FNPT, 3-Valve #107470, 5-Valve #107469 = 1/2" FNPT
- 3-Valve #107467 = 1/4" FNPT (Provided with optional Pressure Gauge Mount 1/4" FNPT)
- **Process Connections:**
- 3-Valve Mini #113343 = 1/4" FNPT, 3-Valve #107470 = 1/2" FNPT
- 3-Valve #107467 = 1/4" FNPT, 5-Valve #107469 = 1/2" FNPT
- **Dust cap:** Protects spindle threads from dirt & dust.
- **Gland Nut & Lock Nut:** Adjusts the packing compression to provide leak free operation even on vacuum service.
- **Gland Packing:** PTFE / Graphite packing and metal seal ring ensures leak free operation.
- **Bonnet:** Precisely machined bonnet adds a high level of reliability at maximum pressure & temperature while increasing valve life and protecting stem threads from atmospheric corrosion.
- **Isolated Stem threads:** Adjustable packing below stem ensures leak proof long service life
- **Less Parts:** Less leak points and less fugitive emissions.
- **Test Ports:** 1/4" FNPT ports which may be used as test connections (107467, 107469 & 107470)  
**(#113343 Mini -Manifold does not have test ports)**
- Integral (Body Material) Seat, and Stainless Steel Body

**NOTE:** All manifolds have the capability of being direct mounted dependent on Mid-West model gauge type. Please contact you sales coordinator for complete details. Manifolds are produced in INDIA to Mid-West exact requirements.

Model Number	Description
113343	3-Valve 316 S.S. Single Block Mini-Manifold (1/4" FNPT Connections)
107470	3-Valve 316 S.S. Single Block Manifold (1/2" FNPT Connections)
107467	3-Valve 316 S.S. Direct Connect (1/4" FNPT Connections) <i>for Model 105,106,115,116 only (58.8 MM Center Line to Center Line Instrument Connections)</i>
107469	5-Valve 316 S.S. Single Block Manifold (1/2" FNPT Connections)
107479	***3 or 5 Valve Manifold assembled directly to gauge body
Customer must provide process type, Gas or Liquid and preferred manifold mounting location	
Model Number	Swivel Gauge Adapters
171553	1/4" MNPT Instrument Connection X 1/4" MNPT Manifold Connection (68 MM OAL)
171554	1/4" MNPT Instrument Connection X 1/2" MNPT Manifold Connection (96 MM OAL)
172338	1/4" MNPT Instrument Connection X 1/4" MNPT Manifold Connection (116.6 MM OAL)
172336	1/4" MNPT Instrument Connection X 1/2" MNPT Manifold Connection (116.6 MM OAL)

**Mid-West Models 130 and 140 not compatible with Swivel Gauge adapters due to Centerline to Centerline dimensions of process connections on gauge bodies.**

Model 114  
6" Dial & #113343 3 Valve Manifold  
With optional Standoff  
& Pressure Gauge



Model 114  
6" Dial with Direct Mount  
#107469 5 Valve Manifold

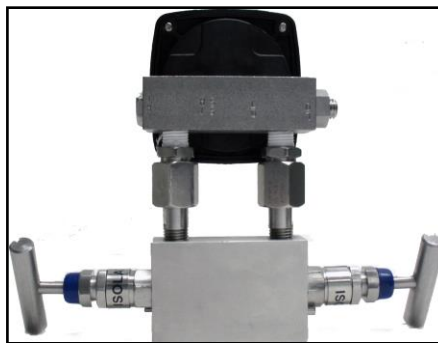
## Examples of 3 & 5 Valve Bottom Mounted Manifold Installations



Model 120  
2-1/2" Dial with Direct Mount  
#113343 3 Valve Mini-Manifold



Model 121  
2-1/2" Dial with Direct Mount  
#113343 3 Valve Mini-Manifold

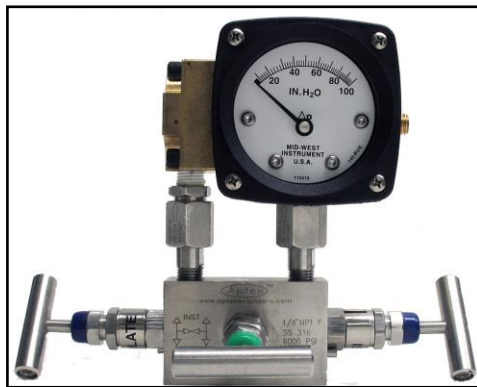


Model 122  
4-1/2" Dial, End Connections  
Tube Mounted #107470  
3 Valve Mini-Manifold

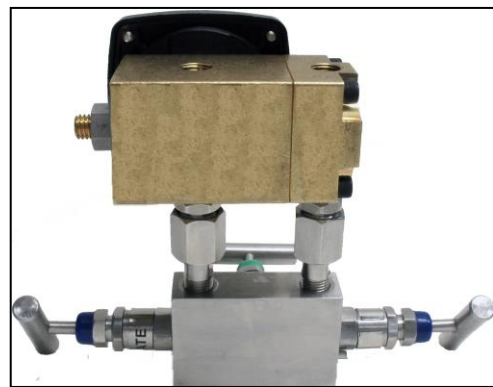




Model 130 S.S.  
4-1/2" Dial with Tube Mounted  
#107470 3 Valve Manifold



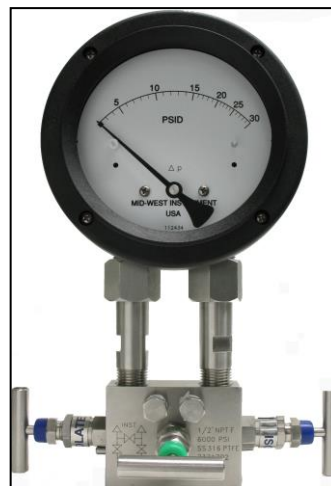
Model 142, 2-1/2" Dial with Direct Mount  
#113343 3-Valve Manifold



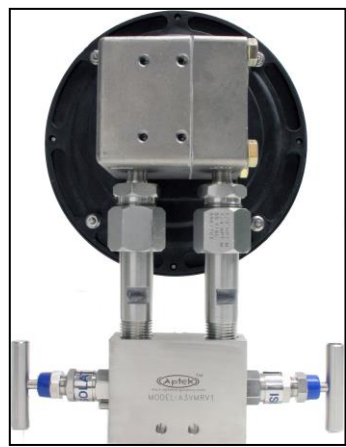
Model 120, 4-1/2" Dial with Direct Mount  
#107470 3 Valve Manifold



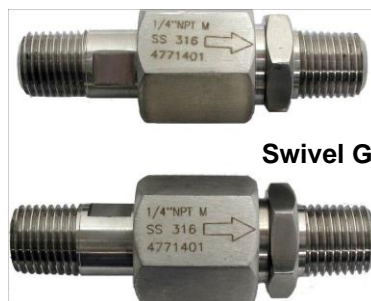
Model 140 S.S.  
3-1/2" Dial with Tube Mounted  
#107470 3 Valve Manifold



Model 106 S.S., 6" Dial with Direct Mount  
#107470 3 Valve Manifold



**Mid-West  
Instrument has  
a manifold/gauge  
combination to  
meet all your  
Differential  
Pressure  
requirements.**



**Swivel Gauge Adapters**

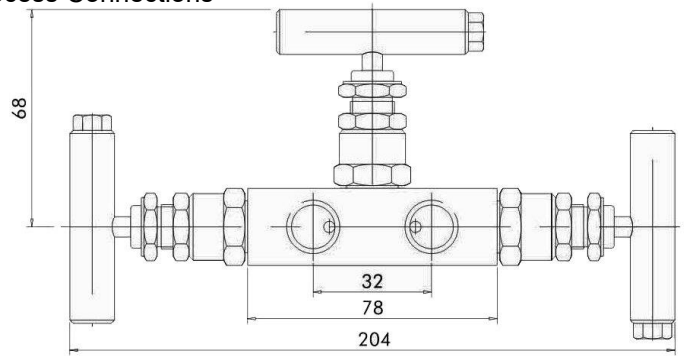
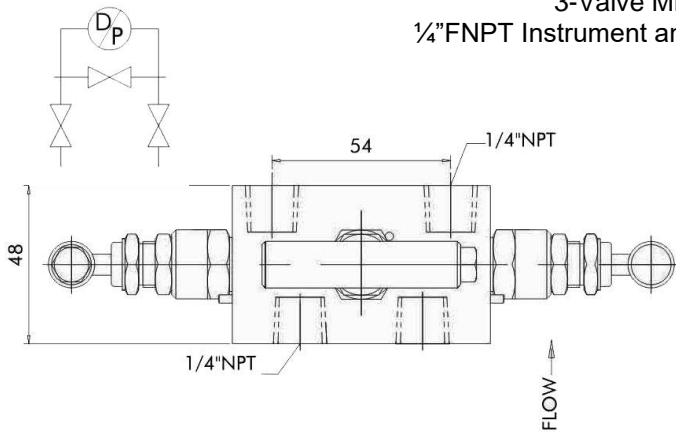


# Dimensional Information

#113343

3-Valve Mini-Manifold

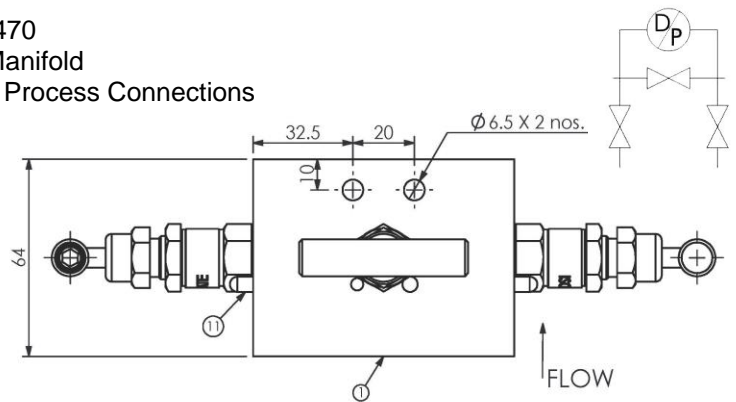
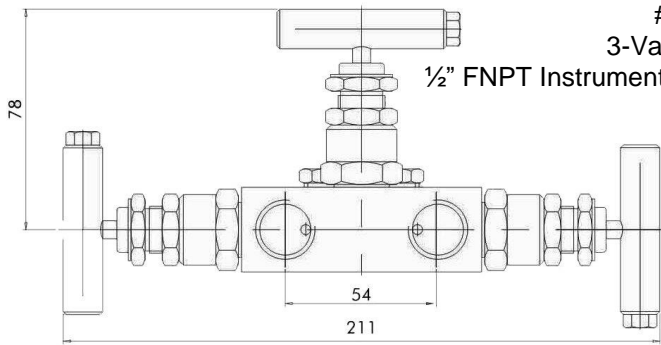
1/4" FNPT Instrument and Process Connections



#107470

3-Valve Manifold

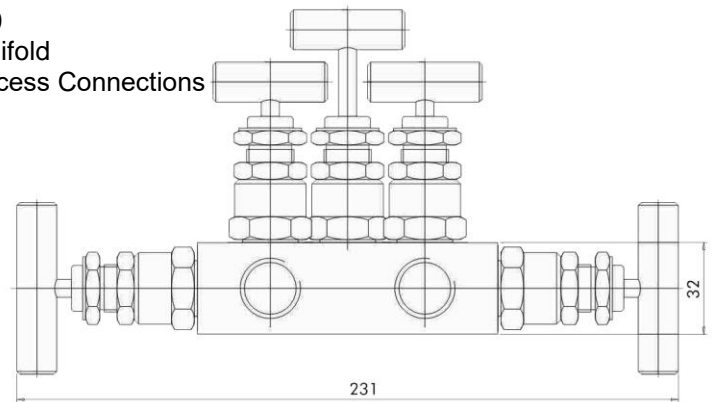
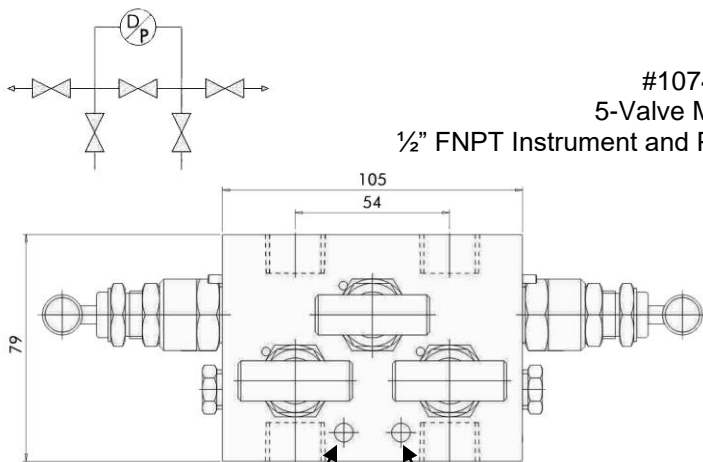
1/2" FNPT Instrument and Process Connections



#107469

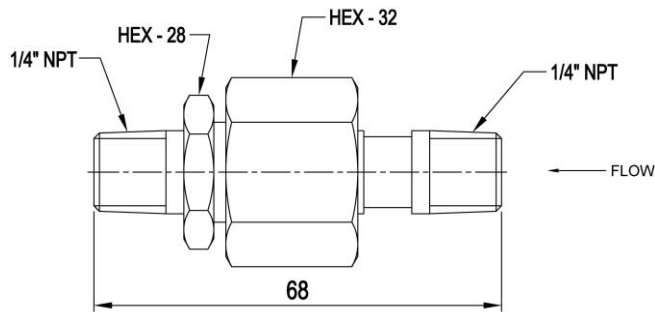
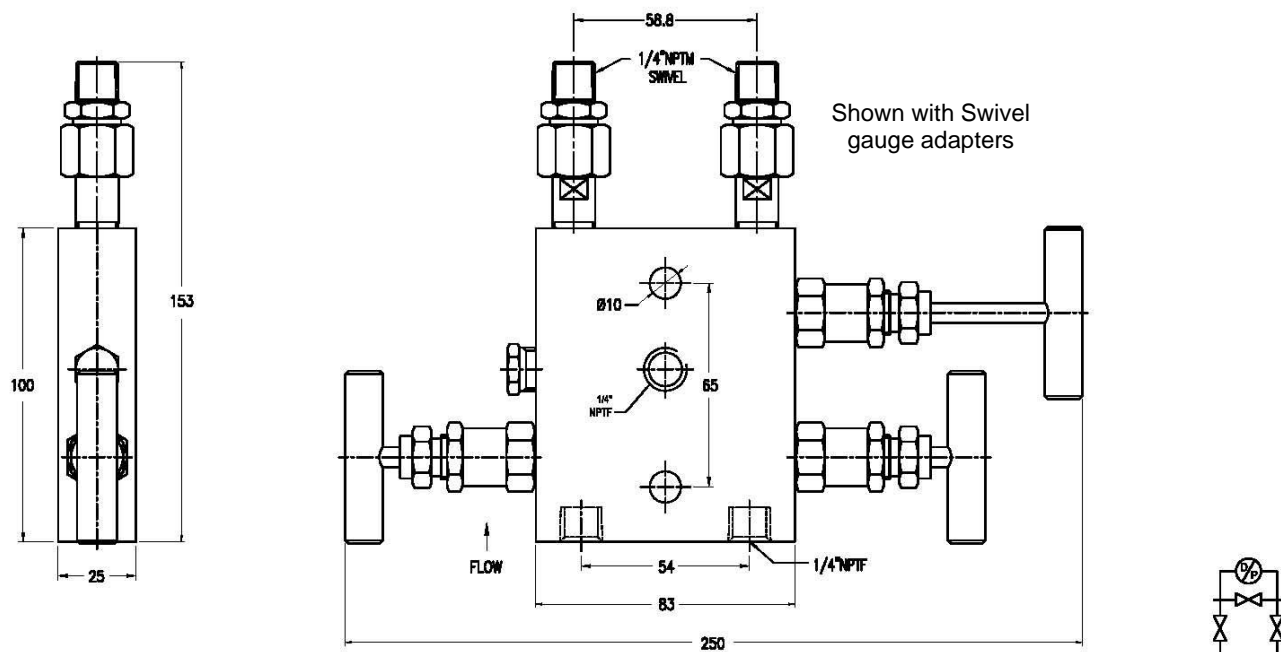
5-Valve Manifold

1/2" FNPT Instrument and Process Connections

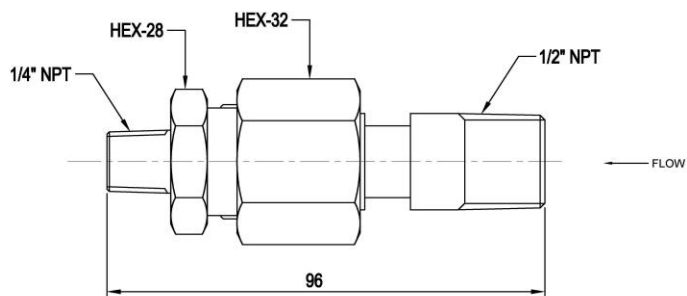


(2) Mtg Holes  
.250 Diameter  
.775 center to center

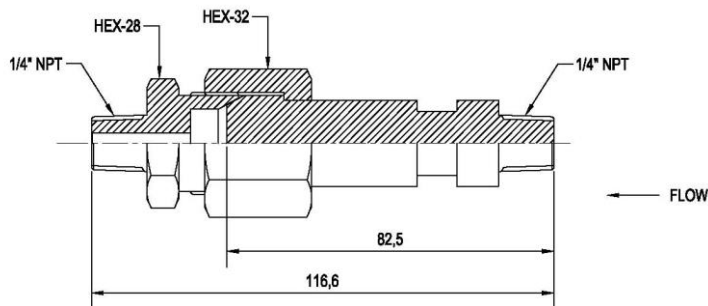
#107467 3-Valve Direct Mount Manifold  
 58.8 MM C/C Instrument connection for Model 116 only  
 54 MM Process connections



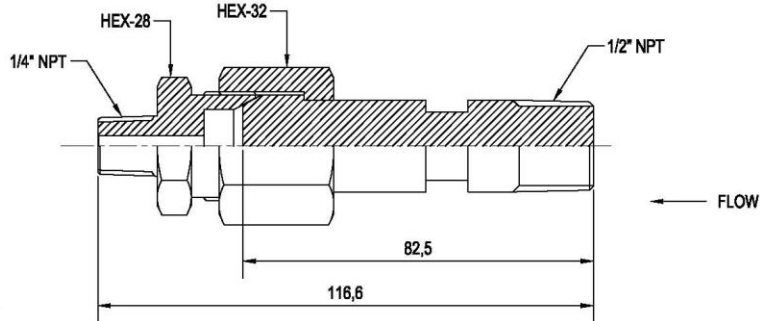
#171553 Swivel Gauge Adapter



#171554 Swivel Gauge Adapter



#172338 Swivel Gauge Adapter



#172336 Swivel Gauge Adapter