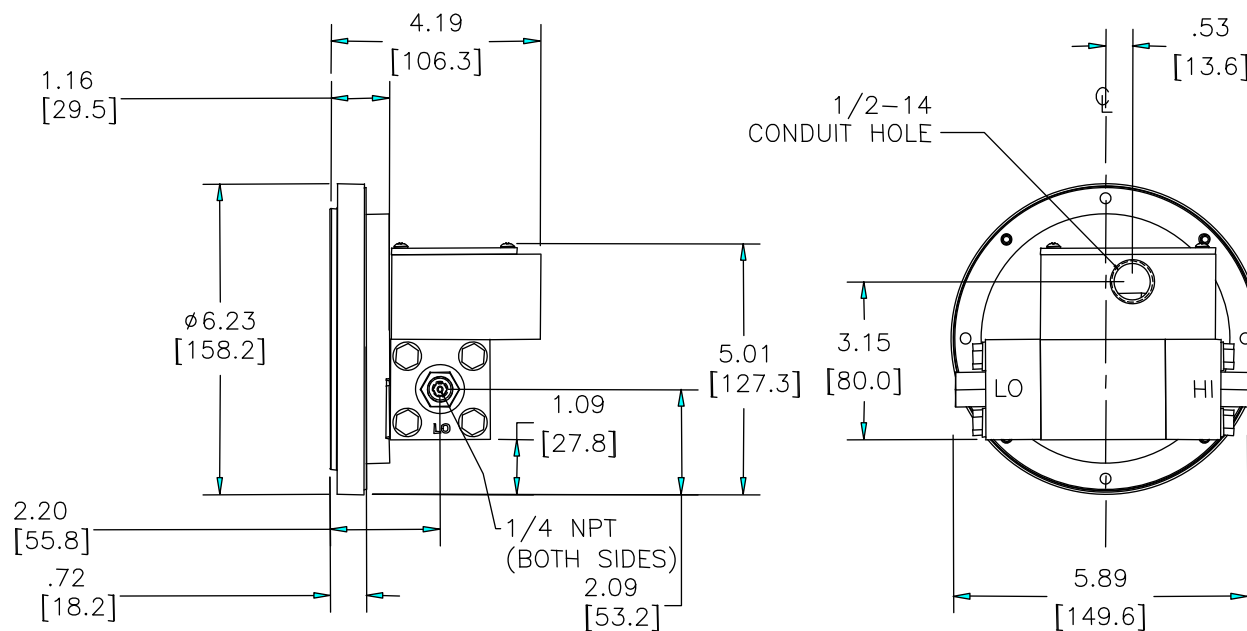


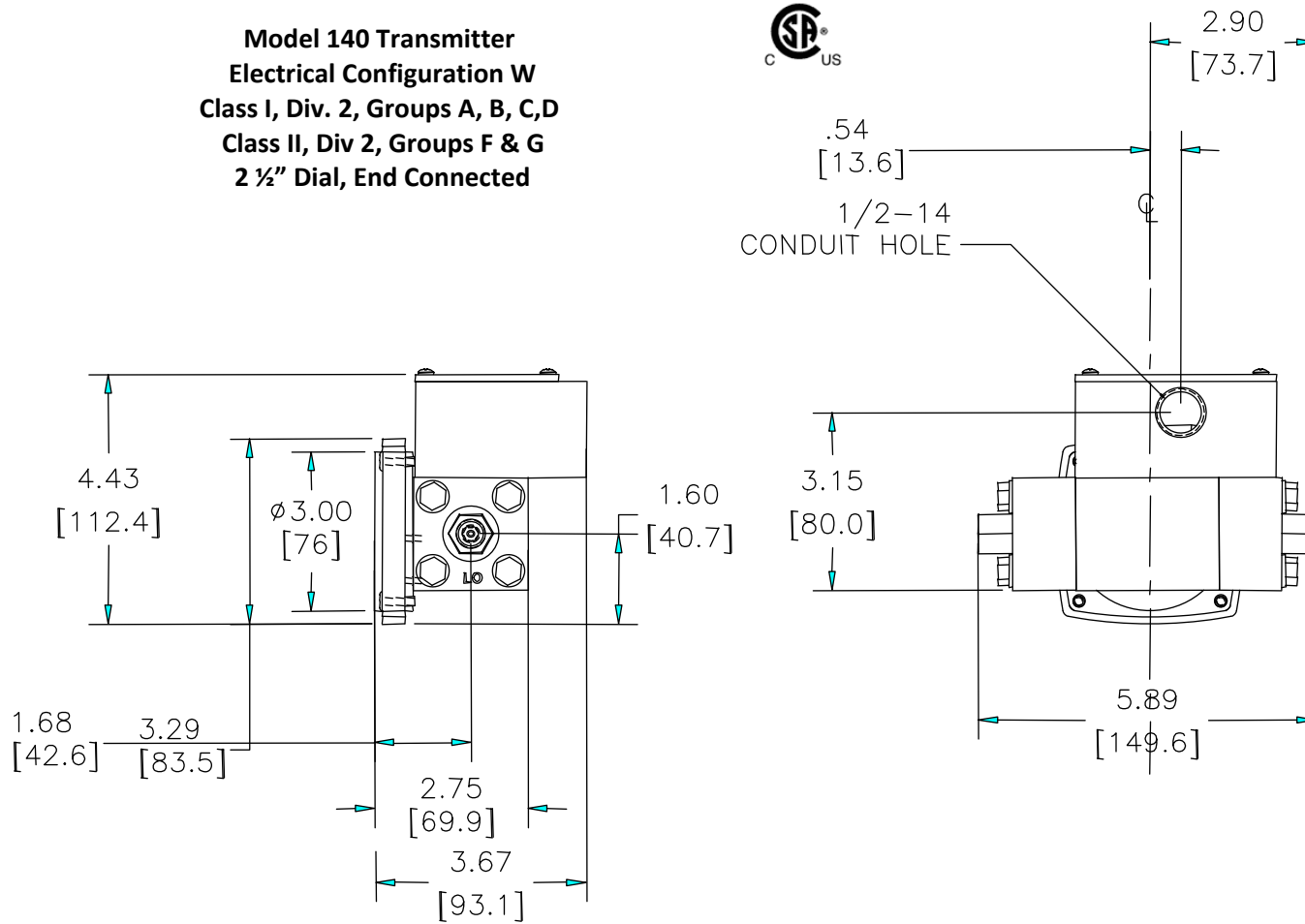
## Dimensional Division 2 Electrical Model 140/142

**Model 140 Transmitter**  
**Electrical Configuration W**  
**Class I, Div. 2, Groups A, B, C, D**  
**Class II, Div 2, Groups F & G**  
**4 1/2" Dial, End Connected**



# Dimensional Division 2 Electrical Model 140/142

**Model 140 Transmitter**  
**Electrical Configuration W**  
**Class I, Div. 2, Groups A, B, C, D**  
**Class II, Div 2, Groups F & G**  
**2 1/2" Dial, End Connected**



# Dimensional Division 2 Electrical Model 140/142

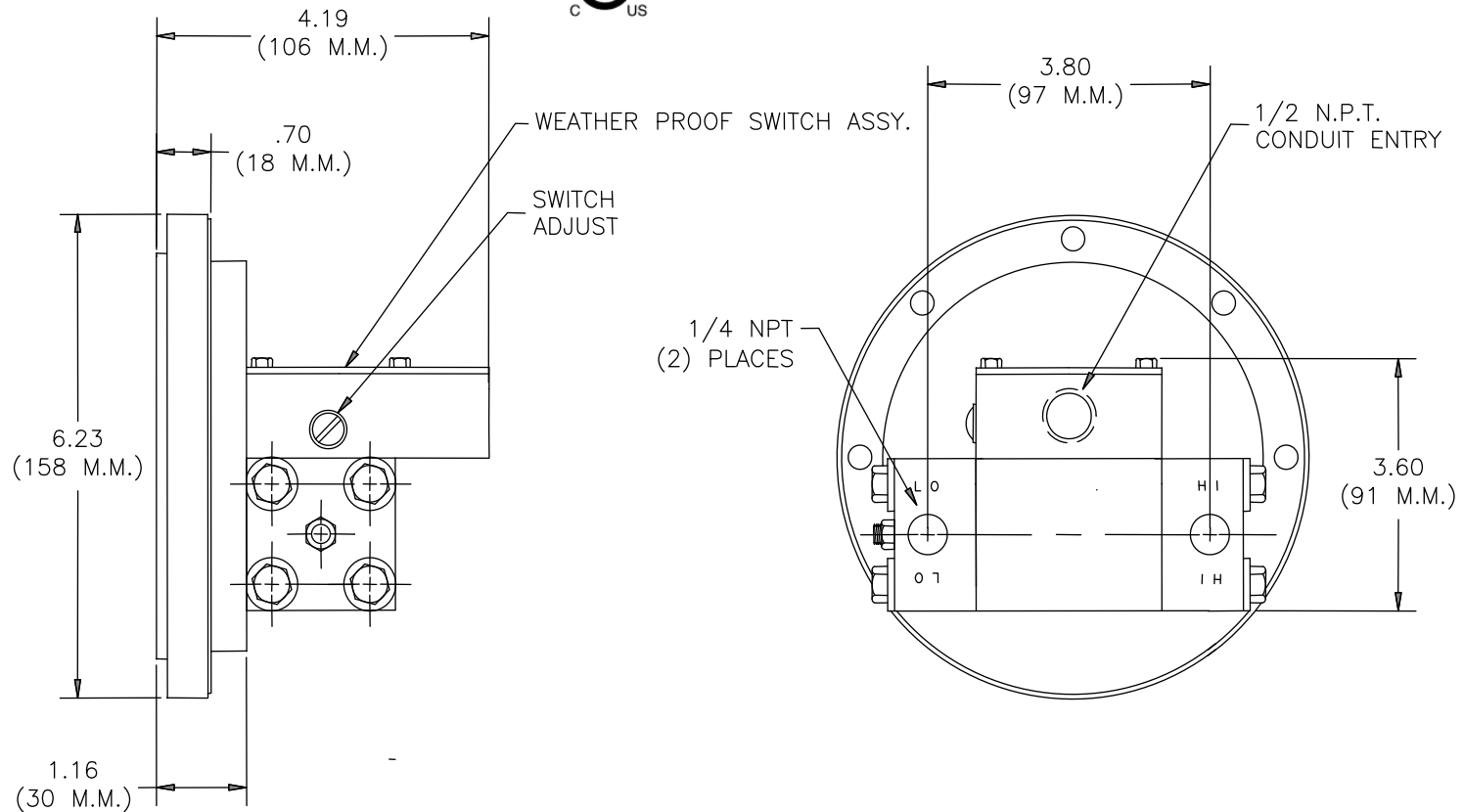
## Model 140

Electrical Configuration: E or F

NEMA 4X METAL ENCLOSURE CLASS I, DIV. 2, GROUPS A, B, C, D

CLASS II, DIV 2, GROUPS F & G

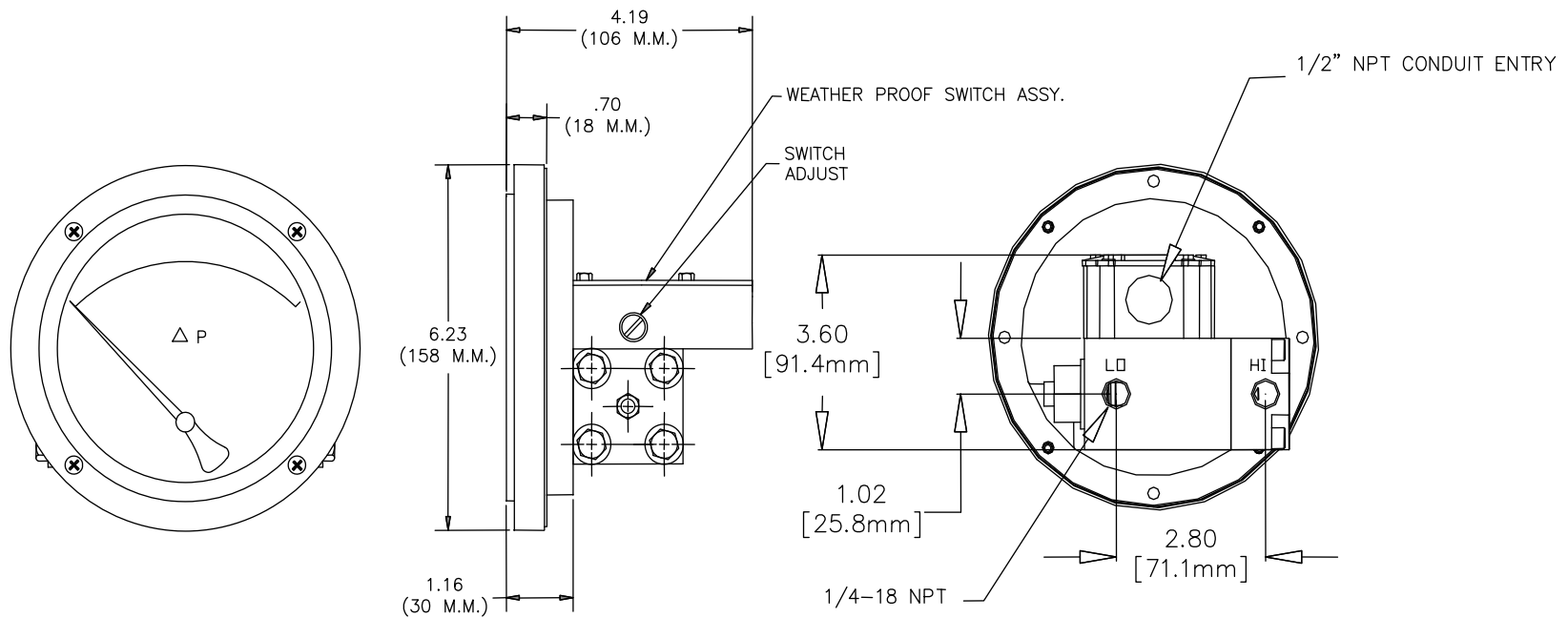
4 1/2 " DIAL, BACK CONNECTED



# Dimensional Division 2 Electrical Model 140/142

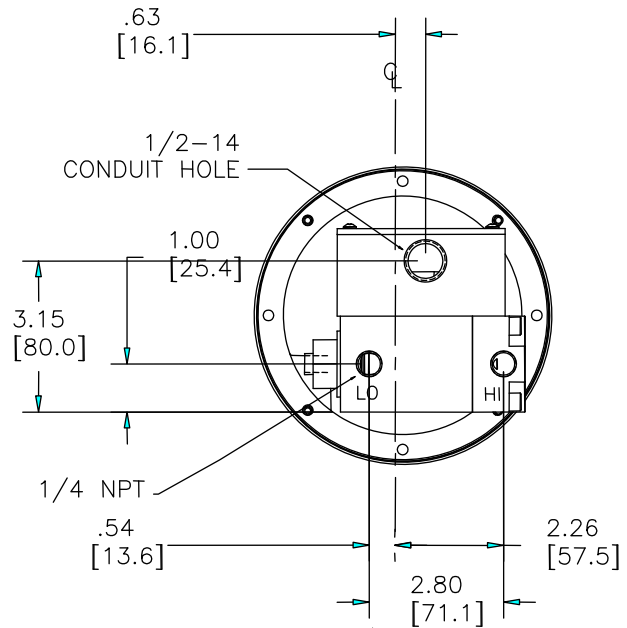
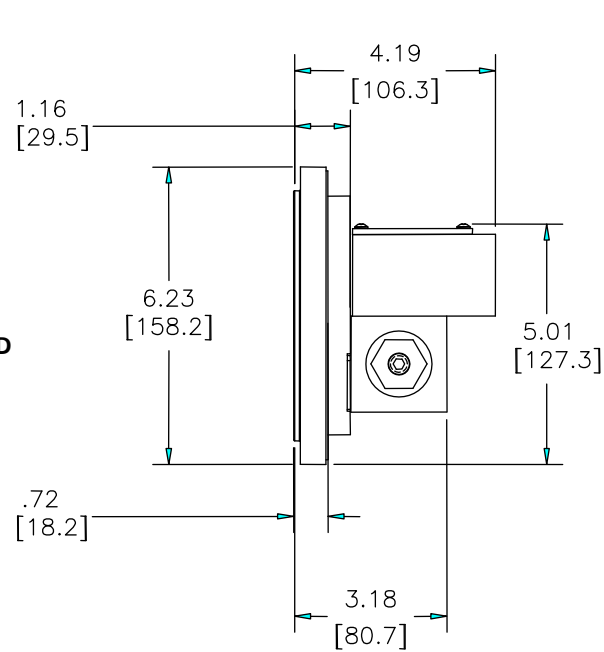
## MODEL 142

Electrical Configuration: E or F  
NEMA 4X METAL ENCLURE CLASS I, DIV. 2, GROUPS A, B, C, D  
CLASS II, DIV 2, GROUPS F & G  
4 1/2 " DIAL, BACK CONNECTED



# Dimensional Division 2 Electrical Model 140/142

**MODEL 142 Transmitter**  
**Electrical Configuration: W**  
 NEMA 4X METAL ENLOSURE  
 CLASS I, DIV. 2, GROUPS A, B, C,D  
 CLASS II, DIV 2, GROUPS F & G  
 4 1/2 " DIAL, BACK CONNECTED



**MODEL 142 Transmitter**  
**Electrical Configuration: W**  
 NEMA 4X METAL ENLOSURE  
 CLASS I, DIV. 2, GROUPS A, B, C,D  
 CLASS II, DIV 2, GROUPS F & G  
 2 1/2 " DIAL, END CONNECTED

